



Gemini



Phoenix



Rocket



High Volume



Mixer



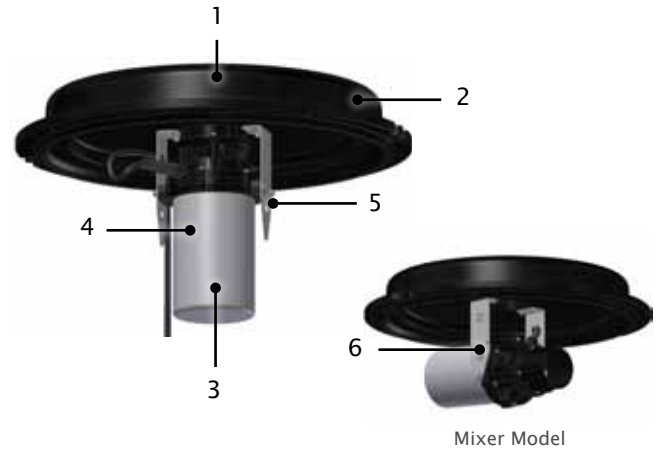
1/2HP FRACTIONAL SERIES AERATING FOUNTAIN & MIXER SERIES

- » Fractional Series comes standard with 5 systems in 1; 4 Aerating Fountain patterns & horizontal Mixer.
- » 2 year all-inclusive warranty.
- » Operates in 16in or 41cm of water.
- » Complete package includes assembled unit, power control center with timer & gfci, and cable. (Power control center optional on 50Hz units.)
- » Safety tested and listed with ETL, ETL-C, conforming to UL standards, and carries a 3rd party listing with CE.
- » Oxygen Transfer Rate of 1kg/HP/hr with a Pumping Rate of 115m³/hr - Highest Performance Rate of any Fractional Aerator in the Industry.
- » Effectively controls algae, aquatic weeds, and foul odors; as well as create horizontal currents - deterring insects and insect breeding.

1/2HP 50Hz	GEMINI	HIGH VOLUME	PHOENIX	ROCKET	MIXER
Spray Height (m)	1.2	1	UPPER: 2.8 LOWER: 1	3	n/a
Spray Diam. (m)	1.8	1.4	UPPER: 30cm LOWER: 3	40cm	n/a
m ³ /hr	115	99	44	41	n/a*
Oxygen Transfer (kg/HP/hr)	1.0	.91	.36	.36	n/a
Volt/Ph/Amp 2750@50hz	230/1/2.8	230/1/2.8	230/1/2.6	230/1/2.6	230/1/2.6

*1/2HP Mixer volume influenced is 6938m³ and effectively moves water 35 linear meters.

Manufactured by: Otterbine® Barebo, Inc. | 3840 Main Road East | Emmaus, PA 18049 U.S.A | PH: 610-965-6018



PRODUCT ILLUSTRATION

1. Includes corrosion resistant adjustable spray impellers/patterns to produce 4 spray patterns, and a horizontal mixer. (Comes Assembled as Gemini)
2. Rugged low visibility foam filled polyethylene float with recessed light pockets.
3. Oil cooled, efficient 2750RPM custom built motor incorporates a silicon carbide single seal to ensure dependability and long life.
4. Corrosion resistant, durable 18 gauge/316 grade stainless steel motor housing.
5. S/S brackets allow for easy conversion between aerating fountain patterns and mixer model.
6. Adjustable discharge angle +/- 8 degrees. [Mixer Model only]

The Fractional Series Deluxe features a 2-light LED 6.5W low voltage light set and quick disconnect cable on unit and lights.

Product specifications and CADs can be found online through www.otterbine.com or www.caddetails.com.