



Gemini



Phoenix



Rocket



High Volume



Mixer



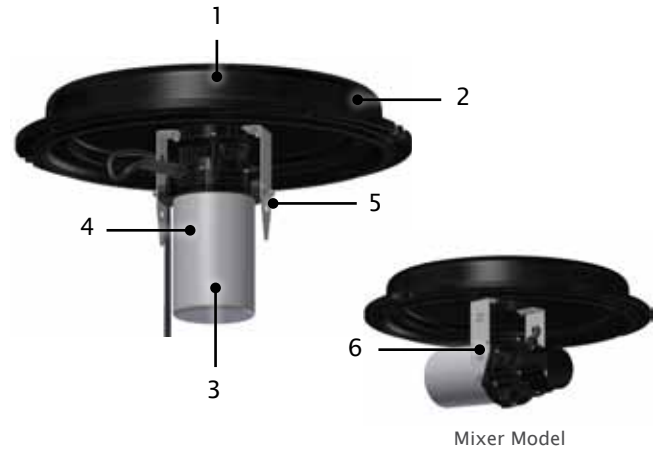
1/2HP FRACTIONAL SERIES AERATING FOUNTAIN & MIXER SERIES

- » Fractional Series comes standard with 5 systems in 1; 4 Aerating Fountain patterns & horizontal Mixer.
- » 2 year all-inclusive warranty.
- » Operates in 16in or 41cm of water.
- » Complete package includes assembled unit, power control center with timer & gfci, and cable. (Power control center optional on 50Hz units.)
- » Safety tested and listed with ETL, ETL-C, conforming to UL standards, and carries a 3rd party listing with CE.
- » Oxygen Transfer Rate of 2.2lbs/HP/hr with a Pumping Rate of 506GPM - Highest Performance Rate of any Fractional Aerator in the Industry.
- » Effectively controls algae, aquatic weeds, and foul odors; as well as create horizontal currents - deterring insects and insect breeding.

| 1/2HP 60Hz | GEMINI | HIGH VOLUME | PHOENIX | ROCKET | MIXER |
|----------------------------|------------------------|------------------------|---------------------------|------------------------|------------------------|
| Spray Height (ft) | 4 | 2 | UPPER: 10.6 LOWER: 3.8 | 10.6 | n/a |
| Spray Diam. (ft) | 4.5 | 2.5 | UPPER: 4 LOWER: 10.6 | 3 | n/a |
| GPM | 506 | 435 | 195 | 179 | n/a* |
| Oxygen Transfer (lb/HP/hr) | 2.2 | 2.0 | 0.8 | 0.8 | n/a |
| Volt/Ph/Amp 3250@60hz | 115/1/5.6 230/1/2.8 | 115/1/5.2 230/1/2.6 | 115/1/6.4 230/1/3.2 | 115/1/6.4 230/1/3.2 | 115/1/5.6 230/1/2.8 |

*1/2HP Mixer volume influenced is 245,000ft³ and effectively moves water 115 linear feet.

Manufactured by: Otterbine® Barebo, Inc. | 3840 Main Road East | Emmaus, PA 18049 U.S.A | PH: 610-965-6018



PRODUCT ILLUSTRATION

1. Includes corrosion resistant adjustable spray impellers/patterns to produce 4 spray patterns, and a horizontal mixer. (Comes Assembled as Gemini)
2. Rugged low visibility foam filled polyethylene float with recessed light pockets.
3. Oil cooled, efficient 3250RPM custom built motor incorporates a silicon carbide single seal to ensure dependability and long life.
4. Corrosion resistant, durable 18 gauge/316 grade stainless steel motor housing.
5. S/S brackets allow for easy conversion between aerating fountain patterns and mixer model.
6. Adjustable discharge angle +/- 8 degrees. [Mixer Model only.]

The Fractional Series Deluxe features a 2-light LED 6.5W low voltage light set and quick disconnect cable on unit and lights.

Product specifications and CADs can be found online through www.otterbine.com or www.caddetails.com.