

Purely Beautiful **WATERWAYS**



www.otterbine.com



2026 Parts List

AERATOR & FOUNTAIN REPLACEMENT PARTS

REPLACEMENT PARTS AND CABLE FOR OTTERBINE AERATORS, FOUNTAINS & LIGHTS SETS.

Enhance the environment. Offer your customer the best in
aerator and fountain systems.

QUESTIONS? CALL US! PH: 1-800-237-8837 (USA) or 610-965-6018
EMAIL ORDERS TO: orders@otterbine.com | FAX ORDERS TO: 484-550-6677

ORDERING:

Orders must be received from Otterbine distributors in email or faxed form, and an acknowledgment will be emailed or faxed for every order. Please review for accuracy. All orders to include quantity, Otterbine part number and description, as well as the total length of power cable required if applicable.

Email: orders@otterbine.com

Fax: 484-550-6677

DROP SHIPMENTS:

All Drop Shipment requests require contact information for the delivery site. This includes name of contact and contact phone number for delivery.

PRICE:

All prices are in US Dollars and subject to change without notice. We will make every effort to provide advance notice of price changes. Please check the pricing on the order acknowledgment you receive after placing an order; it will be the invoiced price.

SERVICE CENTER DISCOUNT:

Authorized Otterbine Service Centers receive an additional discount on eligible parts when their combined total is a minimum of \$50 USD. (Eligible parts are notated in the "SC Disc" column with a Y.)

TERMS:

Terms of sale are NET 30 days unless otherwise accepted by Otterbine. All invoices not paid by the due date will be subject to a service charge of 1.5% per month (18% annual percentage rate). All invoices paid by credit card will incur a 4% processing fee.

FREIGHT:

Freight is "Prepaid & Add", FOB Emmaus, PA on all shipments, unless otherwise negotiated. Additional fees apply for Lift Gate, Notification Prior to Delivery, and Residential Delivery.

PRODUCT RETURNS:

Contact Otterbine for a Return Authorization Number for goods being returned to the factory for any reason. All returns must be pre-approved and are subject to a restock fee, refer to Distributor Policy. Custom products are not eligible for return. Product must be returned freight prepaid.

PARTS WARRANTY:

Parts receive a 90-day warranty after installation. Exceptions: 1/2HP Power Units & Replacement PCC's receive a 1-year warranty; 1HP-5HP Power Units receive a 2-year warranty. *Power units used with PCC's 12 years or older receive 90-day warranty.

Visit [Otterbine's Distributor Dashboard](https://www.otterbine.com) at www.otterbine.com to access price lists & other valuable resources!

TABLE OF CONTENTS
OTTERBINE PARTS LIST

2	Pigtails & Pigtail Accessories
2	Splice Kits
3	Cable Protection
3	Maintenance Kits & Oil
3	Zinc Anode Kits
4-9	Concept 3 Parts (Aerating Fountains)
10-17	Concept 3 Exploded Views
18-23	Concept 2 Parts (Industrial Aerators)
24-28	Concept 2 Exploded Views
29-30	Fractional Series Parts
31-32	Fractional Series Exploded Views
33-34	Air Flo 3 Parts (Diffused Air)
35-38	Giant Fountain Parts (2nd Gen)
39-41	Fountain Glo Light Parts
42	MR16 Lights Exploded View
43-48	Electrical/PCC Parts (1/2HP-5HP)
48-49	Electrical/PCC Parts (10HP-25HP)
50-51	Electrical/PCC Parts (Lights)
52-55	PCC Exploded Views (1HP-5HP PCC)
56	Air Flo 2 Parts (Discontinued Product)
57	Raw Cable & S/S Shielded Cable (ft)
57-64	Cable Assemblies (1HP-5HP)
64-65	Cable Assemblies (1/2HP)
65-67	Cable Assemblies (10HP-15HP 460V)
67-70	Cable Assemblies (10HP-25HP)
70-71	Cable Assemblies (Lights/2PIN)
72-73	Cable Assemblies (Lights/5PIN)
73-81	S/S Shielded Cable Assemblies

OTTERBINE REPLACEMENT PARTS



Otterbine replacement parts are available for all active product lines, with limited availability on discontinued products. If you have a question on what you need - contact our customer care team at 1-800-237-8837 (610-965-6018) or via email at sales@otterbine.com. Service related questions should be sent to service@otterbine.com.

CABLE & CABLE ASSEMBLIES

Cable assemblies (pigtail/plug attached to raw cable,) available since 2024, are cut to length and sold individually. Raw cable can also be purchased in increments of 25ft (7.5m). All cable is found at the back of this price book.

RAW CABLE: pg 57

CABLE ASSEMBLIES: pg 57

S/S SHIELDED CABLE ASSEMBLIES: pg 73



Pigtail

PIGTAILS

Giant Fountain Pigtails are found within their product lines.

PART NUMBER	DESCRIPTION
35-0010	PIGTAIL C2/C3 HEAVY DUTY 4 PIN
35-0011	PIGTAIL C3 5HP/1Ph ONLY 3 PIN
35-0012	PIGTAIL C2/C3 HARMONIZED CE 4PIN
35-0019	PIGTAIL FRACTIONAL HARM CE 3PIN # PDR191
MP6511	PIGTAIL FRAC/IF/LITES 3PIN #5000102-74
35-0014	PIGTAIL LIGHTS LED/MIDI 2PIN
MP6514	REVERSE PIGTAIL 2PIN SPLITTER -MALE
GP1721	PIGTAIL FEMALE 16/5 5-PIN
35-0030	PIGTAIL MALE 16/5 5-PIN
35-0031	PIGTAIL LIGHTS MAXI 16/5 5PIN HARM



Pigtail Protector

PIGTAIL ACCESSORIES

PART NUMBER	DESCRIPTION
12-0063	KIT, 3 PIN PIGTAIL EXTENSION C3
12-0064	KIT, 4 PIN PIGTAIL EXTENSION C2/C3
12-0065	KIT PIGTAIL NUT w/NYLON WASHER C2/C3
MP6512	PIGTAIL NUT 3 PIN SMALL/MP6511 #1463126N
MP6513	PIGTAIL WASHER 3 PIN SMALL #13166151
178-017	PROTECTOR CORD CAP 1-5HP C2&C3
GP1225	PROTECTOR CORD CAP LITE/SMALL
178-027	PROTECTOR CORD CAP GF 3Ph ONLY



Splice Kits

SPLICE KITS

Additional Giant Fountain Splice Kits found within their product line.

PART NUMBER	DESCRIPTION
614-016	SPLICE KIT SM 12/3 LIGHT/FRACTIONAL 3M #82-A1
614-017	SPLICE KIT LG 1"MAX 12/10/8awg 3M #82-A2
12-0039	SPLICE KIT 6awg (ALL)
12-0049	SPLICE KIT 16/2 LOW VOLT (12V)
12-0073	SPLICE KIT 12/3 LOW VOLT (12V)
12-0015	KIT 5-PIN PIGTAIL REPAIR MALE
12-0046	KIT 5-PIN PIGTAIL REPAIR FEMALE

CABLE PROTECTION

Cable Wrap (Field Apply)

- Cable wrap is sold by the foot (30cm) and is be applied in the field.
 - **3/8" Cable Wrap usage:** 16/2 Light Cable, 12/3 Fractional & Light SJOW Cable, and 16/5 SOOW Cable
 - **5/8" Cable Wrap usage:** 12/5, 12/4, 12/3, 10/3, 10/4 and 8/3 Cable



Polymer Cable Wrap (Field Applied)

PART NUMBER	DESCRIPTION
35-0032	CABLE WRAP 3/8" POLYMER
35-0033	CABLE WRAP 5/8" POLYMER

Cable Shielding (MR16 Splitter Assemblies)

- Stainless Steel & Polywrap Shield Kits available for our LED/MR16 Splitter Assemblies. These are purchased **IN ADDITION** to the splitter assemblies found in the lights section on page 40.

PART NUMBER	DESCRIPTION
12-0814-022	KIT SS SHIELD 2-WAY SPLTR
12-0814-023	KIT SS SHIELD 3-WAY SPLTR
12-0814-024	KIT SS SHIELD 4-WAY SPLTR
12-0814-026	KIT SS SHIELD 6-WAY SPLTR
12-0814-025	KIT SS SHIELD 4-WAY GF SPLTR
12-0815-022	KIT POLY SHIELD 2-WAY SPLTR
12-0815-023	KIT POLY SHIELD 3-WAY SPLTR
12-0815-024	KIT POLY SHIELD 4-WAY SPLTR
12-0815-026	KIT POLY SHIELD 6-WAY SPLTR
12-0815-025	KIT POLY SHIELD 4-WAY GF SPLTR

MAINTENANCE KITS & OIL

Quantity Discounts Offered On Maintenance Kits ONLY: 10-19 Receive 10% ; 20-49 Receive 14% ; 50+ Receive 17%

PART NUMBER	DESCRIPTION
12-0077	MAINTENANCE KIT C3 1-5HP
C2-MKIT	MAINTENANCE KIT C2 1-5HP/OIL
667-002-008	OIL AERATOR 2 GALLON SIZE
667-002-220	OIL AERATOR IN 55 GALLON DRUM
12-0028	SERVICE KIT COMPRESSOR AF3 GST
12-0218	KIT COMPRESSOR REBUILD AF3 TN
12-0017	SERVICE KIT,COMPRESSOR AIRFLO2



Otterbine Oil

ZINC ANODE KITS

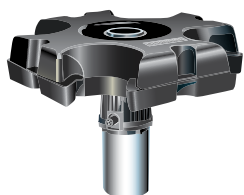
Zinc Anode kits are used on units placed in brackish and corrosive environments.

PART NUMBER	DESCRIPTION
12-0122	KIT C3 UNIT 4 ZINC ANODES
614-027	ZINC SHAFT ANODE C2 & C3 NO HV
614-029	KIT, ZINC SHAFT ANODE C2 HIGH VOLUME
12-0120	KIT C2 UNIT ARMS 3 ZINC ANODES
12-0121	KIT TRITON 4 ZINC ANODE
614-028	KIT ZINC ANODE REPLACEMENT
12-0130	KIT FS UNIT 3 ZINC ANODES



C3 Zinc Anode Kit

CONCEPT 3 PARTS / AERATING FOUNTAINS

**CONCEPT 3 PARTS / AERATING FOUNTAINS**

Electrical/PCC Parts are on pages 43-47

Exploded Part views are on pages 10-17

PART NUMBER	DESCRIPTION
16-0100-116	POWER UNIT C3 1HP 115/1/60
16-0100-215	POWER UNIT C3 1HP 220/1/50
16-0100-216	POWER UNIT C3 1HP 230/1/60
16-0200-215	POWER UNIT C3 2HP 220/1/50
16-0200-216	POWER UNIT C3 2HP 230/1/60
16-0300-215	POWER UNIT C3 3HP 220/1/50
16-0300-216	POWER UNIT C3 3HP 230/1/60
16-0300-236	POWER UNIT C3 3HP 230/3/60
16-0300-335	POWER UNIT C3 3HP 380/3/50
16-0300-336	POWER UNIT C3 3HP 380/3/60
16-0300-435	POWER UNIT C3 3HP 415/3/50
16-0300-436	POWER UNIT C3 3HP 460/3/60
16-0500-216	POWER UNIT C3 5HP 230/1/60
16-0500-236	POWER UNIT C3 5HP 230/3/60
16-0500-335	POWER UNIT C3 5HP 380/3/50
16-0500-336	POWER UNIT C3 5HP 380/3/60
16-0500-435	POWER UNIT C3 5HP 415/3/50
16-0500-436	POWER UNIT C3 5HP 460/3/60
16-0500-536	POWER UNIT C3 5HP 575/3/60
19-0001-150	SUNBURST CHAMBER C3 1HP 50Hz
19-0001-160	SUNBURST CHAMBER C3 1HP 60Hz
19-0001-250	SUNBURST CHAMBER C3 2HP 50Hz
19-0001-260	SUNBURST CHAMBER C3 2HP 60Hz
19-0001-350	SUNBURST CHAMBER C3 3HP 50Hz
19-0001-360	SUNBURST CHAMBER C3 3HP 60Hz
19-0001-550	SUNBURST CHAMBER C3 5HP 50Hz
19-0001-560	SUNBURST CHAMBER C3 5HP 60Hz
19-0002-150	ROCKET CHAMBER C3 1HP 50Hz
19-0002-160	ROCKET CHAMBER C3 1HP 60Hz
19-0002-250	ROCKET CHAMBER C3 2HP 50Hz
19-0002-260	ROCKET CHAMBER C3 2HP 60Hz
19-0002-350	ROCKET CHAMBER C3 3HP 50Hz
19-0002-360	ROCKET CHAMBER C3 3HP 60Hz
19-0002-550	ROCKET CHAMBER C3 5HP 50Hz
19-0002-560	ROCKET CHAMBER C3 5HP 60Hz
19-0003-150	PHOENIX CHAMBER C3 1HP 50Hz
19-0003-160	PHOENIX CHAMBER C3 1HP 60Hz
19-0003-250	PHOENIX CHAMBER C3 2HP 50Hz
19-0003-260	PHOENIX CHAMBER C3 2HP 60Hz
19-0003-350	PHOENIX CHAMBER C3 3HP 50Hz
19-0003-360	PHOENIX CHAMBER C3 3HP 60Hz

CONCEPT 3 PARTS / AERATING FOUNTAINS

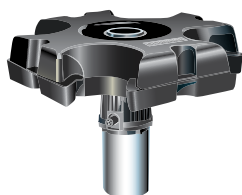
Electrical/PCC Parts are on pages 43-47

Exploded Part views are on pages 10-17



PART NUMBER	DESCRIPTION
19-0003-550	PHOENIX CHAMBER C3 5HP 50Hz
19-0003-560	PHOENIX CHAMBER C3 5HP 60Hz
19-0004-150	TRI-STAR CHAMBER C3 1HP 50Hz
19-0004-160	TRI-STAR CHAMBER C3 1HP 60Hz
19-0004-250	TRI-STAR CHAMBER C3 2HP 50Hz
19-0004-260	TRI-STAR CHAMBER C3 2HP 60Hz
19-0004-350	TRI-STAR CHAMBER C3 3HP 50Hz
19-0004-360	TRI-STAR CHAMBER C3 3HP 60Hz
19-0004-550	TRI-STAR CHAMBER C3 5HP 50Hz
19-0004-560	TRI-STAR CHAMBER C3 5HP 60Hz
19-0005-150	GEMINI CHAMBER C3 1HP 50Hz
19-0005-160	GEMINI CHAMBER C3 1HP 60Hz
19-0005-250	GEMINI CHAMBER C3 2HP 50Hz
19-0005-260	GEMINI CHAMBER C3 2HP 60Hz
19-0005-350	GEMINI CHAMBER C3 3HP 50Hz
19-0005-360	GEMINI CHAMBER C3 3HP 60Hz
19-0005-550	GEMINI CHAMBER C3 5HP 50Hz
19-0005-560	GEMINI CHAMBER C3 5HP 60Hz
19-0011-150	OMEGA CHAMBER C3 1HP 50Hz
19-0011-160	OMEGA CHAMBER C3 1HP 60Hz
19-0011-250	OMEGA CHAMBER C3 2HP 50Hz
19-0011-260	OMEGA CHAMBER C3 2HP 60Hz
19-0011-350	OMEGA CHAMBER C3 3HP 50Hz
19-0011-360	OMEGA CHAMBER C3 3HP 60Hz
19-0011-550	OMEGA CHAMBER C3 5HP 50Hz
19-0011-560	OMEGA CHAMBER C3 5HP 60Hz
19-0012-150	COMET CHAMBER C3 1HP 50Hz
19-0012-160	COMET CHAMBER C3 1HP 60Hz
19-0012-250	COMET CHAMBER C3 2HP 50Hz
19-0012-260	COMET CHAMBER C3 2HP 60Hz
19-0012-350	COMET CHAMBER C3 3HP 50Hz
19-0012-360	COMET CHAMBER C3 3HP 60Hz
19-0012-550	COMET CHAMBER C3 5HP 50Hz
19-0012-560	COMET CHAMBER C3 5HP 60Hz
19-0013-150	SATURN CHAMBER C3 1HP 50Hz
19-0013-160	SATURN CHAMBER C3 1HP 60Hz
19-0013-250	SATURN CHAMBER C3 2HP 50Hz
19-0013-260	SATURN CHAMBER C3 2HP 60Hz
19-0013-350	SATURN CHAMBER C3 3HP 50Hz
19-0013-360	SATURN CHAMBER C3 3HP 60Hz
19-0013-550	SATURN CHAMBER C3 5HP 50Hz

CONCEPT 3 PARTS / AERATING FOUNTAINS

**CONCEPT 3 PARTS / AERATING FOUNTAINS**

Electrical/PCC Parts are on pages 43-47

Exploded Part views are on pages 10-17

PART NUMBER	DESCRIPTION
19-0013-560	SATURN CHAMBER C3 5HP 60Hz
19-0014-150	CONSTELL CHAMBER C3 1HP 50Hz
19-0014-160	CONSTELL CHAMBER C3 1HP 60Hz
19-0014-250	CONSTELL CHAMBER C3 2HP 50Hz
19-0014-260	CONSTELL CHAMBER C3 2HP 60Hz
19-0014-350	CONSTELL CHAMBER C3 3HP 50Hz
19-0014-360	CONSTELL CHAMBER C3 3HP 60Hz
19-0014-550	CONSTELL CHAMBER C3 5HP 50Hz
19-0014-560	CONSTELL CHAMBER C3 5HP 60Hz
19-0016-150	GENESIS CHAMBER C3 1HP 50Hz
19-0016-160	GENESIS CHAMBER C3 1HP 60Hz
19-0016-250	GENESIS CHAMBER C3 2HP 50Hz
19-0016-260	GENESIS CHAMBER C3 2HP 60Hz
19-0016-350	GENESIS CHAMBER C3 3HP 50Hz
19-0016-360	GENESIS CHAMBER C3 3HP 60Hz
19-0016-550	GENESIS CHAMBER C3 5HP 50Hz
19-0016-560	GENESIS CHAMBER C3 5HP 60Hz
19-0028-150	EQUINOX CHAMBER C3 1HP 50Hz
19-0028-160	EQUINOX CHAMBER C3 1HP 60Hz
19-0028-250	EQUINOX CHAMBER C3 2HP 50Hz
19-0028-260	EQUINOX CHAMBER C3 2HP 60Hz
19-0028-350	EQUINOX CHAMBER C3 3HP 50Hz
19-0028-360	EQUINOX CHAMBER C3 3HP 60Hz
19-0028-550	EQUINOX CHAMBER C3 5HP 50Hz
19-0028-560	EQUINOX CHAMBER C3 5HP 60Hz
12-0002	KIT, SHIP BOX w/ INSERTS,POWER UNIT (C3&C2)
10-0008	THROAT ASSY EQUINOX C3
10-0053	THROAT ASSEMBLY OMEGA C3
10-0060	THROAT ASSY C3
10-0062	FLOW DIVERTER ASSY PHX/TRI C3
10-0065	LOWER PUMP CHAMBER ASSY C3
10-0068	NOZZLE ASSY C3-GEN&AFLs GLUED
10-0069	FLOW DIVERTER ASSY CONSTELL C3
10-0073	THROAT ASSY GENESIS C3
10-0387	FIXED FTN C3/C2 STAND
12-0001	SEAL KIT C3 OPEN HUB & ROTARY
12-0035	KIT, C3 MACH HUB W/SEAL&HW (STEP SHAFT MTR)
12-0052	SEAL KIT,C3,G SEAL w/METAL HUB
12-0053	SEAL KIT, C3 W/ GROOVED SHAFT
12-0054	SEAL KIT C3 STEP SHAFT MOTOR
12-0055	SEAL KIT, C3 MACH HUB (STEP SHAFT MOTOR)

CONCEPT 3 PARTS / AERATING FOUNTAINS

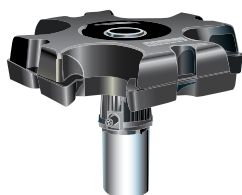
Electrical/PCC Parts are on pages 43-47

Exploded Part views are on pages 10-17



PART NUMBER	DESCRIPTION
12-0056	KIT STANDOFF w/ HARDWARE C3
12-0067	KIT, MOTOR BASE PLATE C3 4PIN
12-0068	KIT, MOTOR BASE PLATE C3 5HP1PH 3PIN
12-0071	HARDWARE KIT FLOAT DETACHED C3
12-0075	SCREEN KIT 1/4" C3 DECORATIVE
12-0076	SCREEN KIT 1/2" C3 SNB/GEM/SAT
12-0097	STABILIZER PLATES KIT COMET C3
12-0105	MTG KIT GENESIS THROAT ASSY
12-0135	KIT, C3 3HP 1Ph CAP w/O-RINGS
12-0136	KIT, C3 5HP 1Ph CAP w/O-RINGS
17-0085	LEVEL CONTROL LOW WATER 15'
20-0009	RIVET POP S/S 1/8"DIAx1/2"L
20-0010	RIVET POP S/S 3/16"DIAx1/2"
21-0004	CLAMP 1" PLASTIC 2 HOLE PIPE
22-0019	BOLT HEX S/S M8x20
22-0020	BOLT HEX S/S M8x30 SELF-SEALNG
22-0022	BOLT HEX S/S M8x45
22-0024	BOLT CARRIAGE 316S/S M8x190
22-0025	BOLT HEX S/S M8x35 SELF-SEALNG
22-0027	EYEBOLT S/S 5/16-18x1 375"THRD
24-0010	SCREW PAN PHIL S/S M4x16
24-0013	SCREW HEX S/S M5x50 FULL THRD
24-0014	SCREW FLATHD S/S #8x1 SELF-TAP
24-0015	SCREW SET S/S M8x8 CUP POINT
26-0006	NUT NYLON LOCK 316S/S M5
26-0007	NUT NYLON LOCK 316S/S M8
28-0004	WASHER, .75"x1.25"x.048" 18-8SS
28-0008	WASHER FENDER S/S 5/16"x1 25OD
28-0014	WASHER FLAT S/S M4
28-0015	WASHER SPLIT LOCK S/S M4
28-0016	WASHER FLAT S/S M5
28-0017	WASHER SPLIT LOCK S/S M5
28-0018	WASHER FLAT S/S 5/16" M8
28-0019	WASHER SPLIT LOCK S/S M8 5/16
28-0033	WASHER, .75"x1.25"x.075" 18-8SS
28-0034	WASHER, .75"x1.25"x.105" 18-8SS
30-0029-110	MOTOR 1HP 1Ph C3 #17226301
30-0029-210	MOTOR 2HP 1Ph C3 #15358087
30-0029-311	MOTOR 3HP 1Ph C3 w/O-RINGS
30-0029-330	MOTOR 3HP 3Ph C3 #15358081
30-0029-511	MOTOR 5HP 1Ph C3 w/O-RINGS

CONCEPT 3 PARTS / AERATING FOUNTAINS

**CONCEPT 3 PARTS / AERATING FOUNTAINS**

Electrical/PCC Parts are on pages 43-47

Exploded Part views are on pages 10-17

PART NUMBER	DESCRIPTION
30-0029-530	MOTOR 5HP 3Ph C3 #15358082
30-0029-535	MOTOR 5HP 575V C3 #16470551
33-0028-001	CONNECTOR CRIMP #RB44 or RB4
33-0028-002	CONNECTOR CRIMP #RC55 or #RC6
33-0028-003	CONNECTOR CRIMP #RP12
33-0031	CONNECTOR BUTT 8awg T&B #DD102
36-0003	CAPACITOR 1HP C3 #17170858
36-0004	CAPACITOR 2HP C3/1HP C2 16602096
36-0005	CAPACITOR 3&5HP C3 #16767321
36-0008	START SWITCH 2HP C3 #16602790
36-0009	BEARING TOP ALL C3 FRANKLIN PE#275062907
36-0010	BEARING BOTTOM aIlC3 C2 FRNKLN OPE C3
36-0038	START SWITCH C3 1HP, 2HP & C2 2HP 2023+
36-0041	START SWITCH 1HP C3 RETROFIT #17323653
40-0033	HUB C3 MBP MACHINED
40-0099	SHIM IMPELLER C2/C3 DPC S/S
40-0107	SPACER IMPELR 5HP60/3&5HP50 C3
40-0115	BRACKET STABILIZER PLATE COMET
41-0104	DIFFUSER PLATE ROCKET C3 MACH
41-0105	DIFFUSER PHOENIX C3 MACHINED
41-0106	DIFFUSER TRI-STAR C3 MACHINED
41-0108	PIPE PVC SCH40 1 5"x2 362"L C3
41-0123	DIFFUSER PLATE COMET C3 MACH
41-0127	PLATE STABILIZER COMET MAC
42-0015	SEAL HUB C3
42-0018	FLOAT BLACK C3
42-0019	SUNBURST/SATURN RING C3
42-0020	CAN RING C3
42-0023	UPPER PUMP CHAMBER C3
42-0032	DIFFUSER CONSTELLATION C3 MACHINED
42-0048	FLOAT SUPPLEMENTAL BLACK C3
42-0051	SEAL HUB C3 OPEN SINGLE SEAL
42-0052	HUB, C3 LOW PROFILE METAL SEAL
46-0002	RING 3/4EXT RETAIN MC91590A128
46-0051	TY-RAP PANDUIT #BT5LH-CO
46-0105-125	PLUG 1/8"NPT HEX SOCKET S/S
46-0106	TY-RAP #TY23MX ALL WEATHER
46-0107	CLAMP HOSE S/S 1-2"DIA #2W402
47-0001	HOUSING 18G S/S C2 & C3
47-0002	GROUND CLIP C2 & C3 MOTOR
47-0003	SLINGER DISC 1-5HP C3 SNB/GEM 4 567 DIA

CONCEPT 3 PARTS / AERATING FOUNTAINS

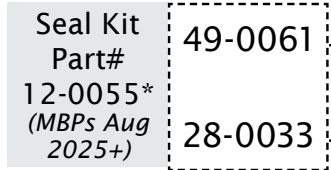
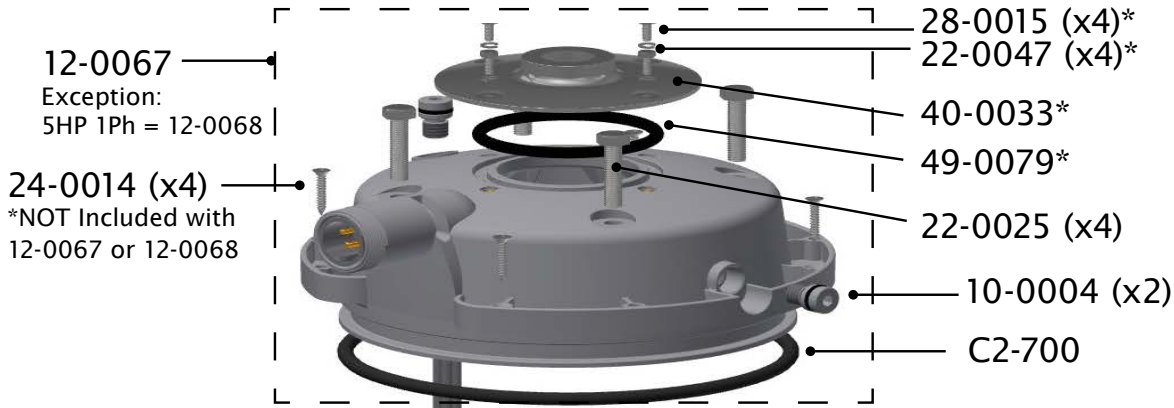
Electrical/PCC Parts are on pages 43-47

Exploded Part views are on pages 10-17



PART NUMBER	DESCRIPTION
47-0020	SLINGER C3 OPEN SEAL HUB RUBBER
47-0035	HUB C3 MBP STAMPED
49-0012	SEAL, DOUBLE ROTARY C3 CLOSED HUB
49-0013	O-RING SEAL HUB C3 AS-568A-032S
49-0015	O-RING THROAT/PATTERN C3 AS-568A-260
49-0017	O-RING TRI-STAR C3 AS-568A-131
49-0038	O-RING MOTOR BASE PLATE C3
49-0041	SEAL, C3 3/4" ROTARY OPEN HUB #PS-3922
49-0061	SEAL,C3 TYPE G ROTARY PS-7167
50-0010-001	IMPELLER DEC 1HP 60Hz C3 (WH)
50-0010-002	IMPELLER DEC 2HP60Hz/1HP50Hz C3 (RD)
50-0010-003	IMPELLER DEC 3HP60Hz/2HP50Hz C3 (BL)
50-0010-005	IMPELLER DEC 5HP60Hz/3&5HP50Hz C3 (YEL)
50-0012-001	IMPELLER SNB/GEM 1HP60Hz C3 (WH)
50-0012-002	IMPELLER SNB/GEM 2HP60Hz/1HP50Hz C3 (RD)
50-0012-003	IMPELLER SNB/GEM 3HP60Hz/2HP50Hz C3 (BL)
50-0012-005	IMPELLER SNB/GEM 5HP60Hz/3HP50Hz C3 (YL)
50-0012-055	IMPELLER SNB/GEM 5HP50Hz C3 (BK)
614-025	STRAIN RELIEF DEVICE BLACKBURN #W40-1
97-0004	DIPSTICK, C3 PAPER MAINT KIT ONLY
97-0005	DIPSTICK, C3 METAL SERVICE KIT ONLY
F-LEVEL-HIGH	LEVEL CONTROL HIGH WATER 15'
F-W-KIT	INSTALL KIT 2 DUCKBILL ANCHORS
JP5007	CLIP 1/8"S/S WIRE ROPE THIMBLE

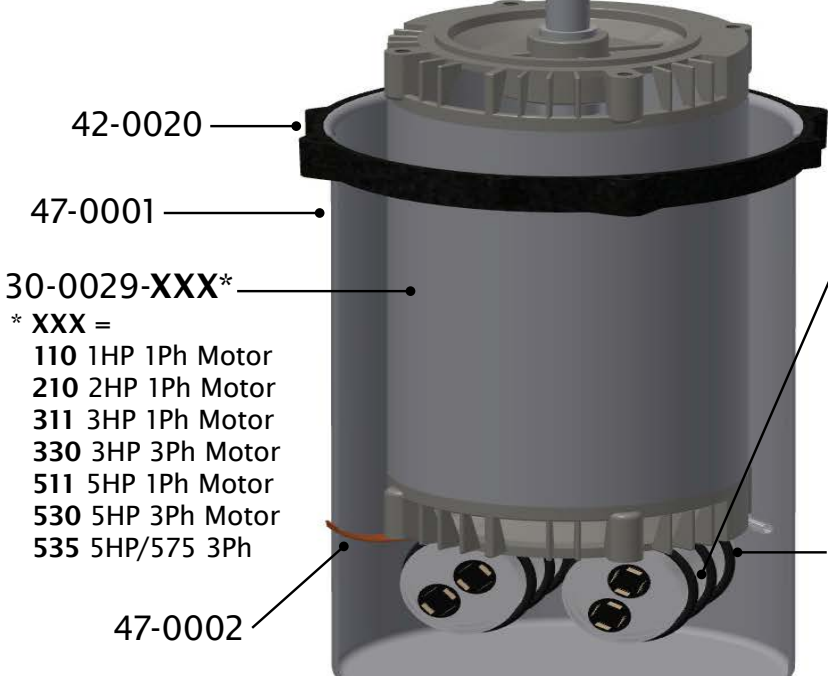
POWER UNIT



AVAILABLE SEAL KITS:
 Multiple seal kits available - see Usage details

ITEM #	Parts Included	Usage
12-0055	49-0061 seal & 28-0033 washer	Current style MBP with Machined hub (Aug 2025+)
12-0054	49-0061 seal & 28-0034 washer	Old style MBPs with Shoulder Shaft Motors.
12-0053	49-0061 seal, 28-0004 washer, & 46-0002 retaining ring	Motors BEFORE Nov. 2016 with Groove Shaft. NOT compatible w/ current MBP.

*** MACHINED HUB UPGRADE**
 Retrofits to all MBP's 2024+
 Items marked with * are Included with: 12-0035: KIT, MACHINED HUB w/ SEAL & HW



- * XXX =
 110 1HP 1Ph Motor
 210 2HP 1Ph Motor
 311 3HP 1Ph Motor
 330 3HP 3Ph Motor
 511 5HP 1Ph Motor
 530 5HP 3Ph Motor
 535 5HP/575 3Ph

- Connector Crimps (not shown)
 33-0028-001 Small
 33-0028-002 Medium
 33-0028-003 Large

CAPACITOR

ITEM #	HP Rating	Legacy Period
36-0003	1HP 1Ph	
36-0004	2HP 1Ph	
36-0005	3HP 1Ph	Units BEFORE May 2008
	5HP 1Ph	Units BEFORE Jan 2007
12-0135**	3HP 1Ph (x2)	Units AFTER May 2008
12-0136**	5HP 1Ph (x2)	Units AFTER Jan 2007

**Dual Capacitors, 49-0058 (x3) are included with these caps.

49-0058 (x3) per capacitor

2023+ START SWITCH
 Retrofit Wire Harness (included in 1HP Retrofit Start Switch Kit p/n 36-0041,) remove wire harness and it becomes 36-0038.)

START SWITCH (not shown)

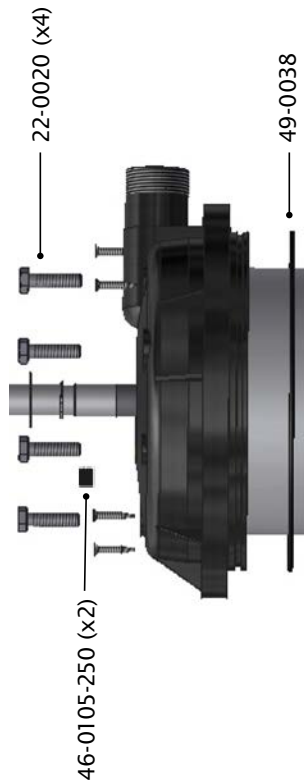
ITEM #	HP Rating	Legacy Period
36-0038	1HP 1Ph & 2HP 1Ph	Motors AFTER Aug 2023
36-0041	1HP 1Ph	Motors BEFORE Aug 2023
36-0008	2HP 1Ph	Motors BEFORE 2023

NOTE: (2) Ty-raps per capacitor BP2874*10
 Can be purchased as complete power unit - see part numbers on page 4

SEAL HUBS (PRIOR TO JUNE 2014)

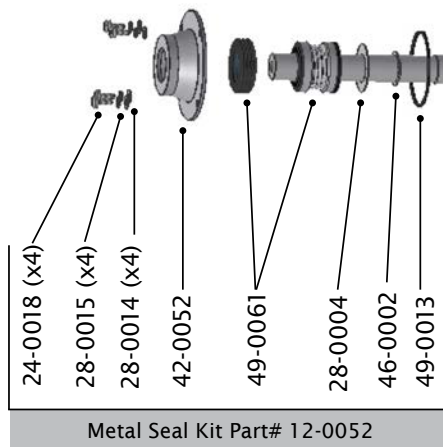
All part numbers listed in these drawings are still available.

**MOTOR BASE PLATE
(Units Prior to June 2014)**

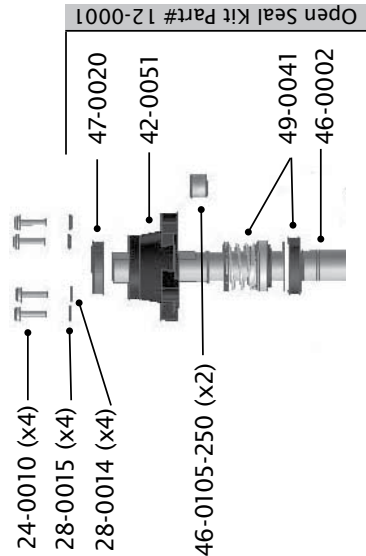


NOTE: The above motor base plate is discontinued and no longer available. For older units please contact the factory for your options.

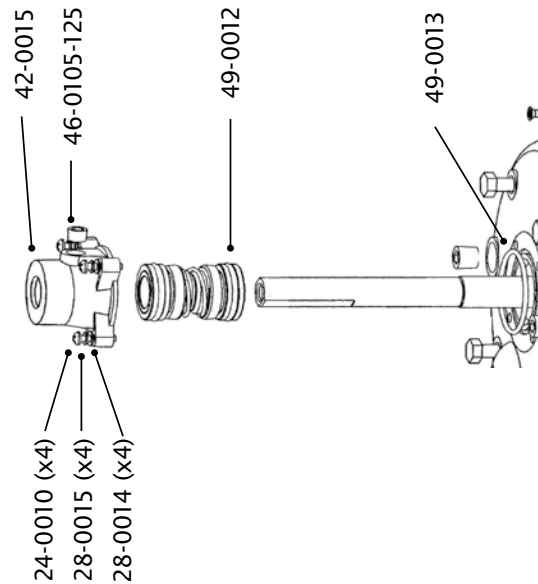
**METAL SEAL HUB +
(Units March 2010 - May 2014)**



**OPEN SEAL HUB +
(Units 2007 - March 2010)**

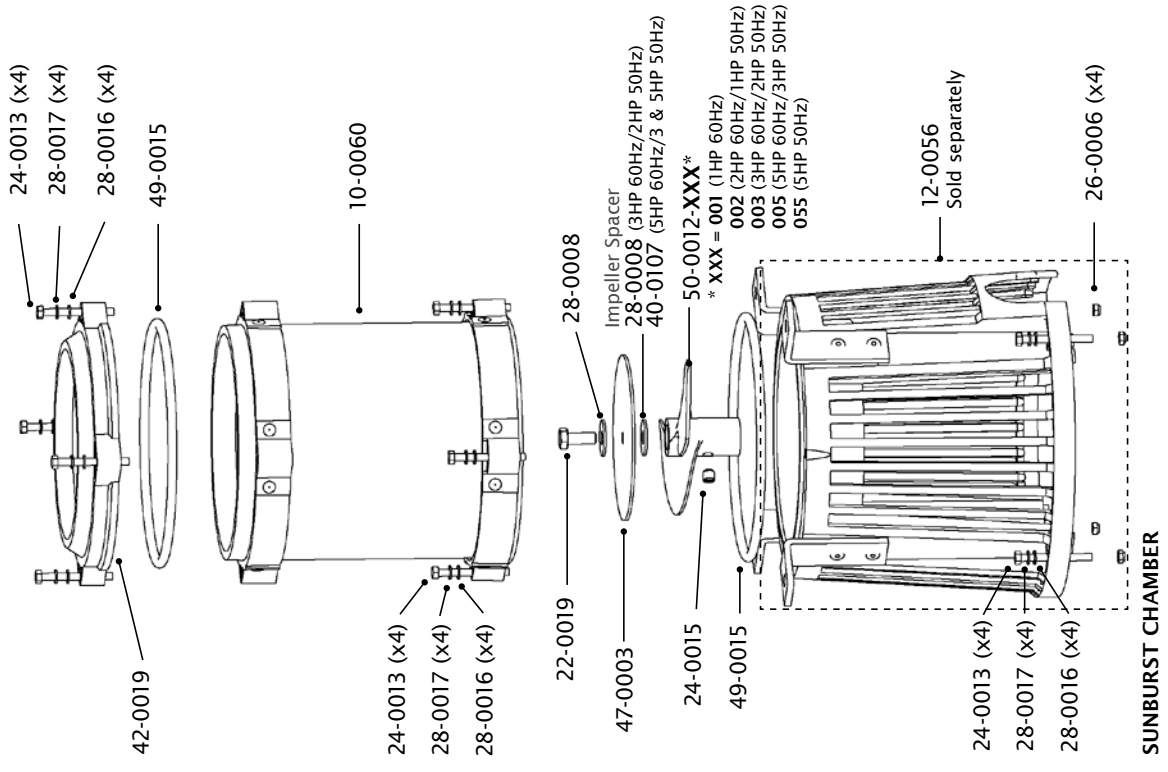
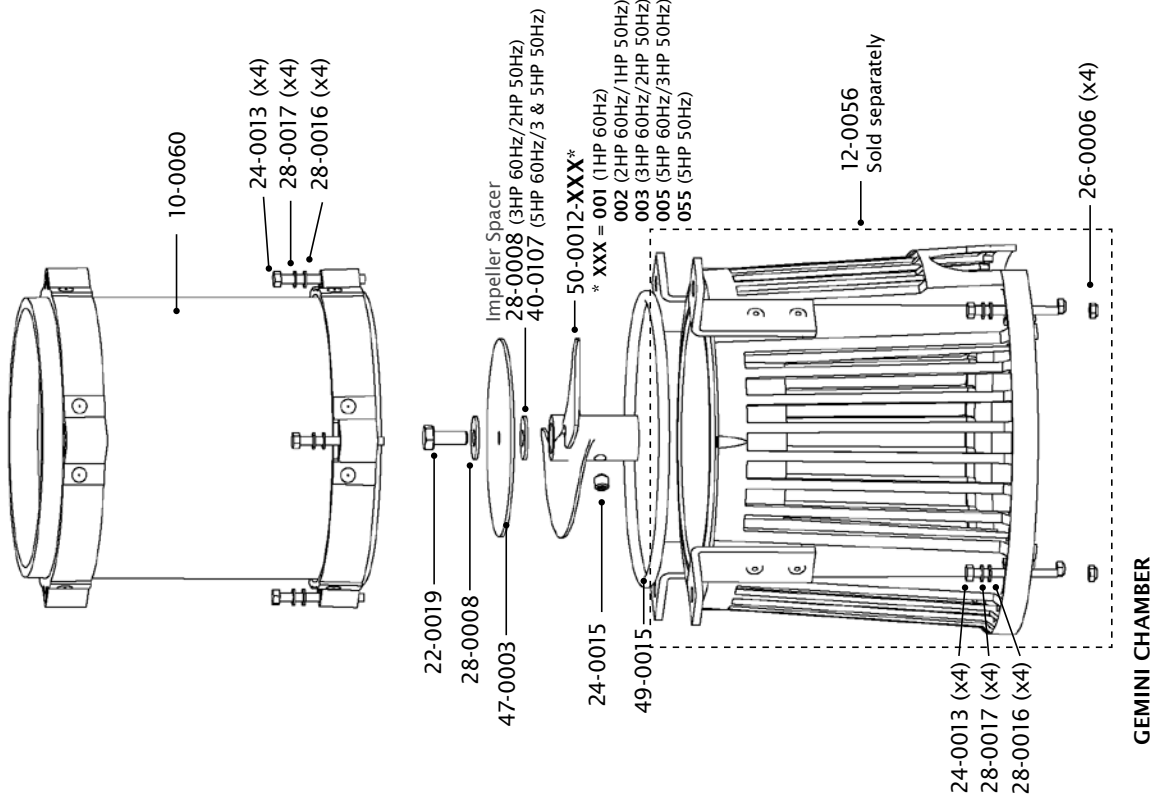


**CLOSED SEAL HUB +
(Units Prior 2007)**

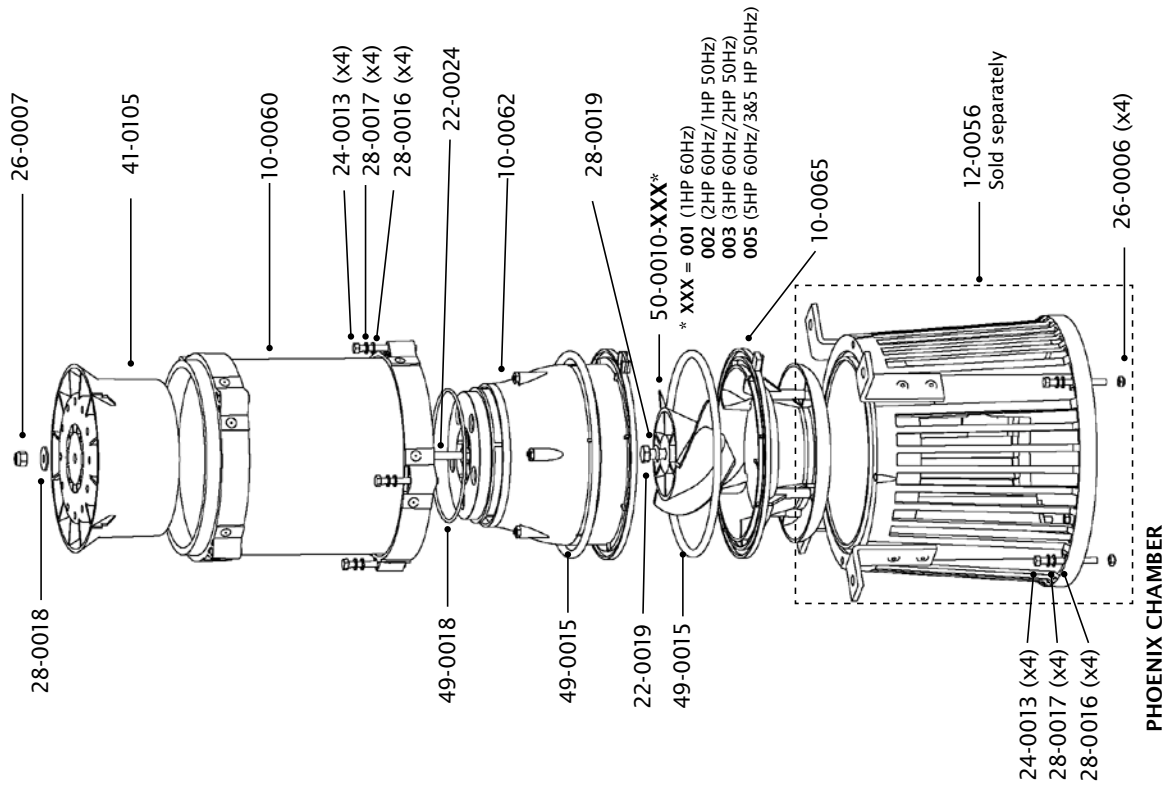
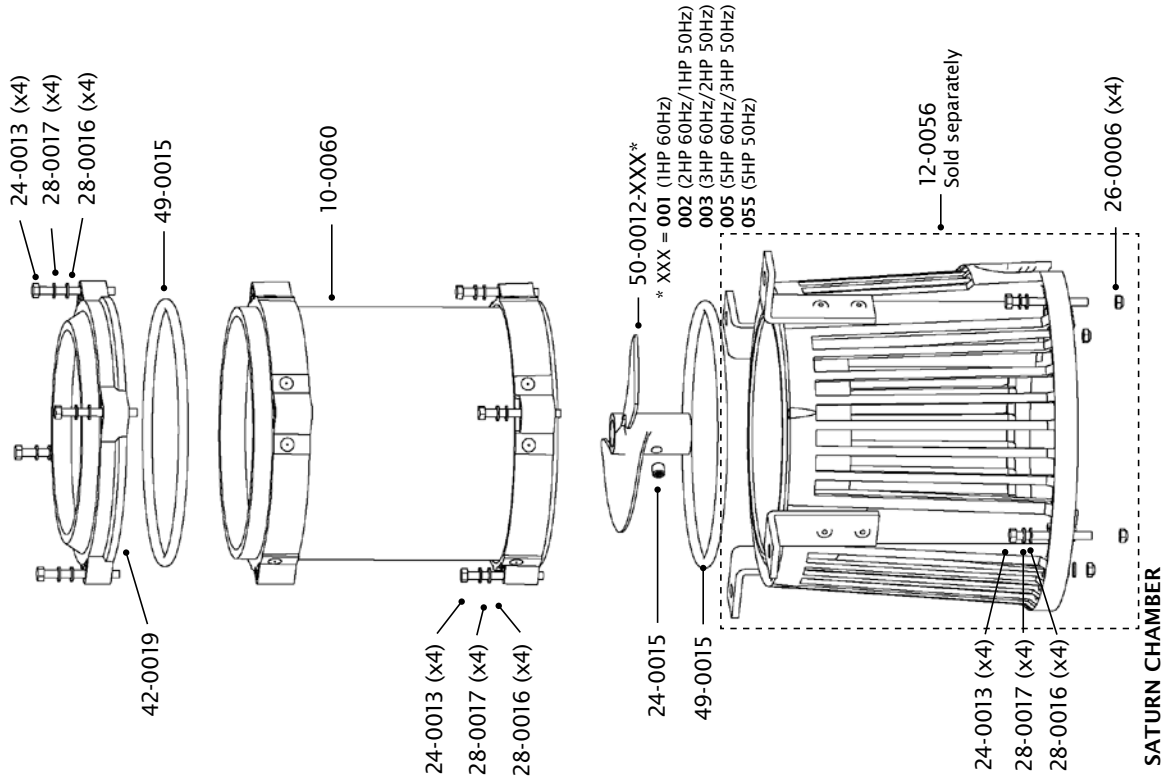


+ Seal Hubs Vary by Year Manufactured

Part Numbers with Pricing can be found on pages 4-9

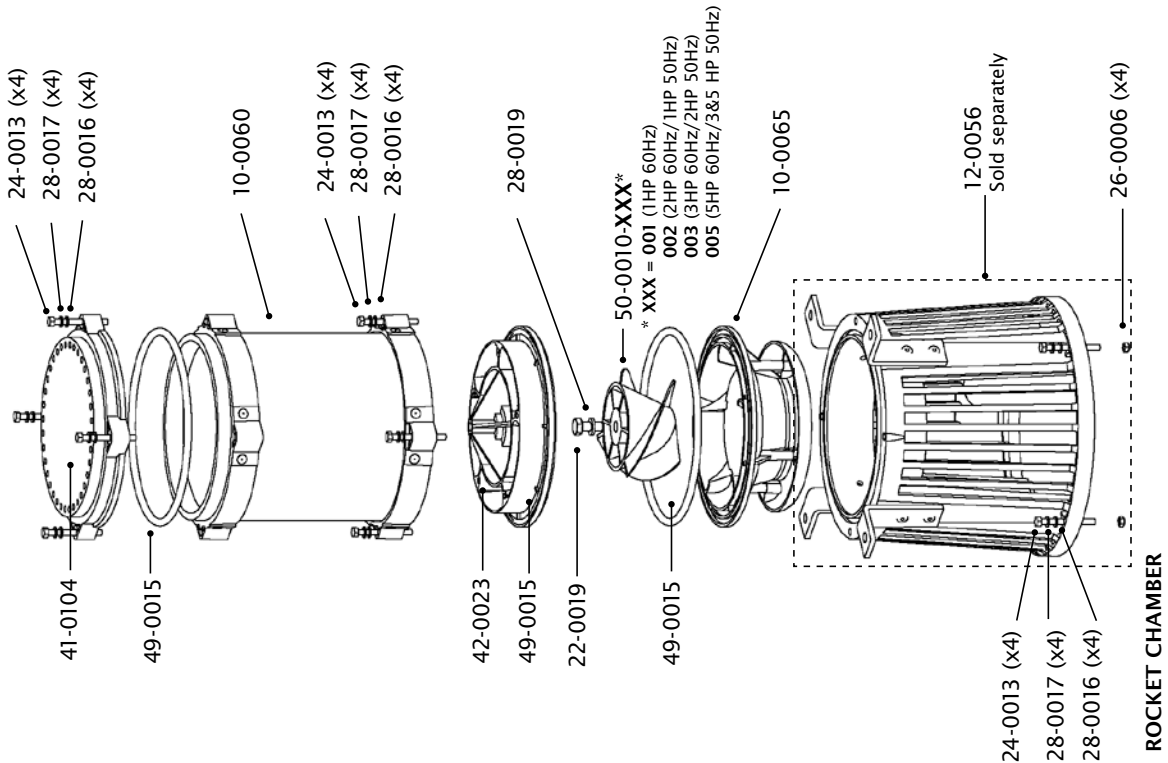
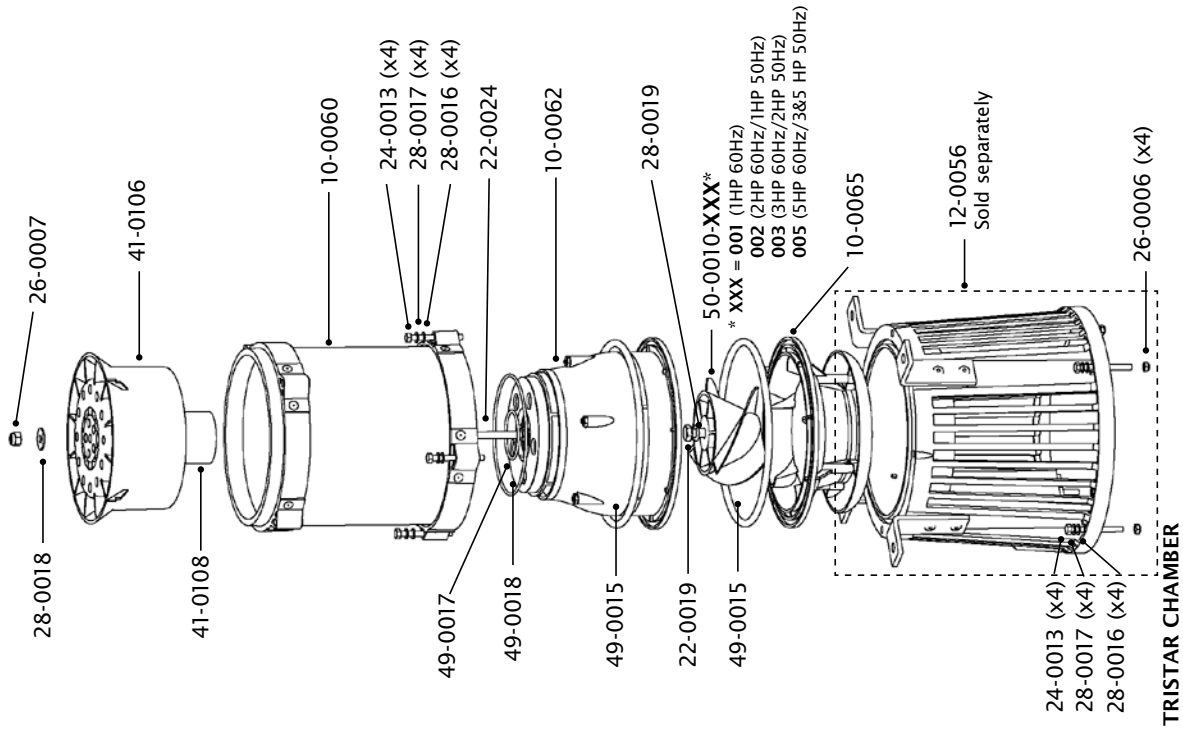


Can be purchased as complete chamber - see part numbers pages 4-6
NOTE: Standoff Strainer (part number 12-0056) is not part of pump chamber assembly.

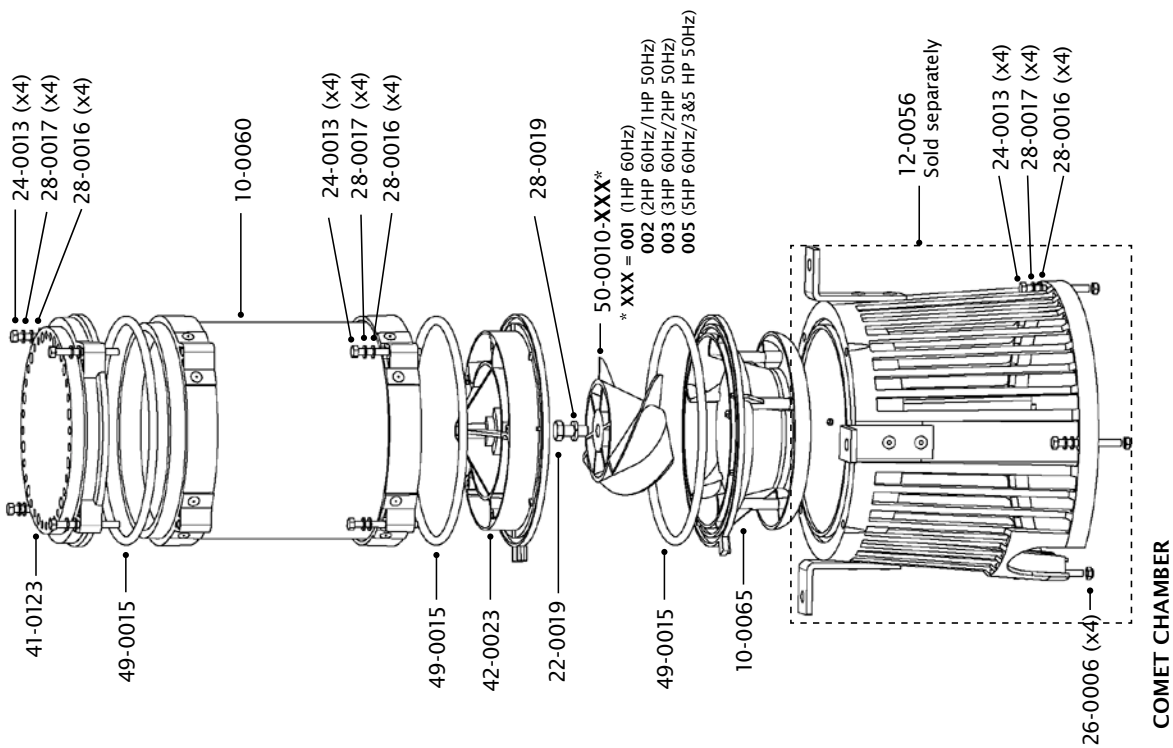
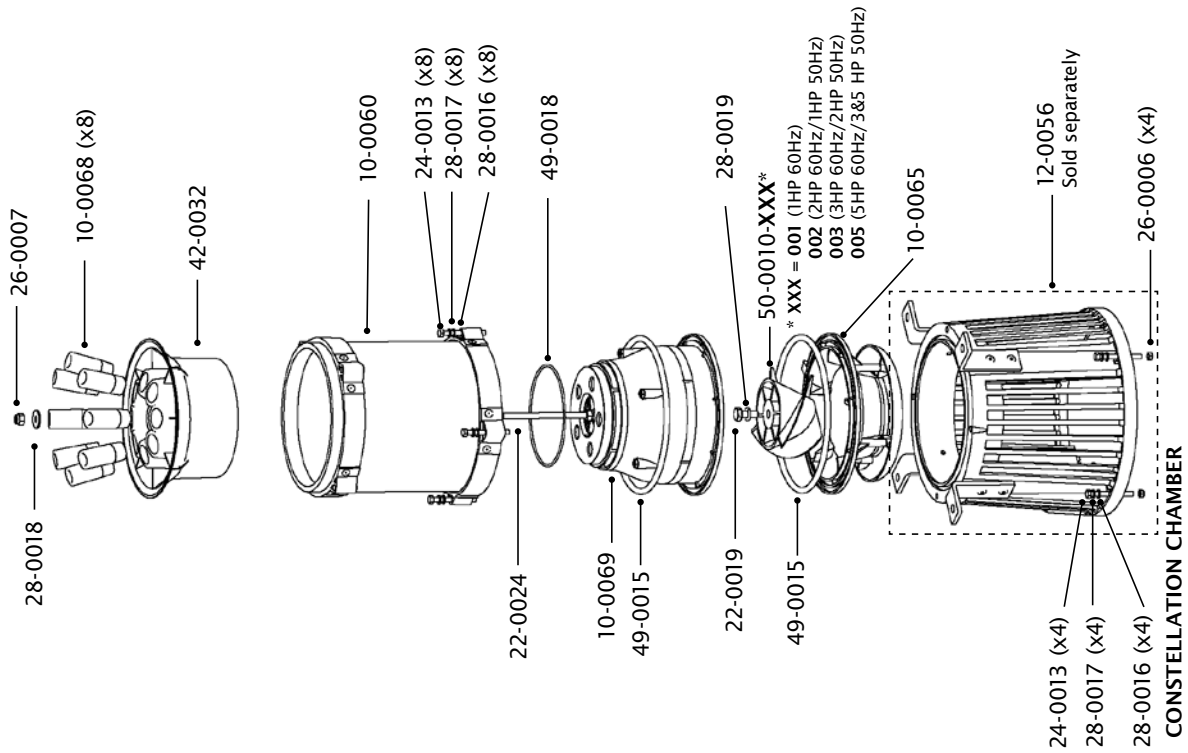


Can be purchased as complete chamber - see part numbers pages 4-6
NOTE: Standoff Strainer (part number 12-0056) is not part of pump chamber assembly.

Part Numbers with Pricing can be found on pages 4-9

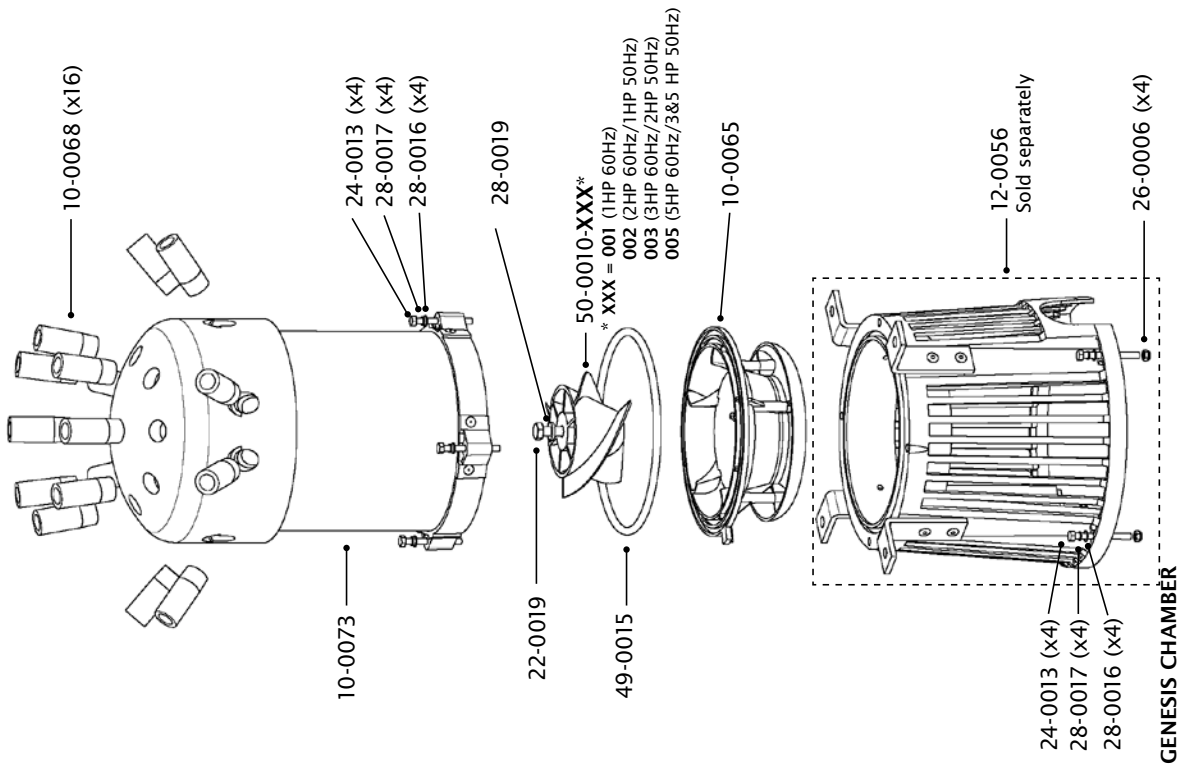
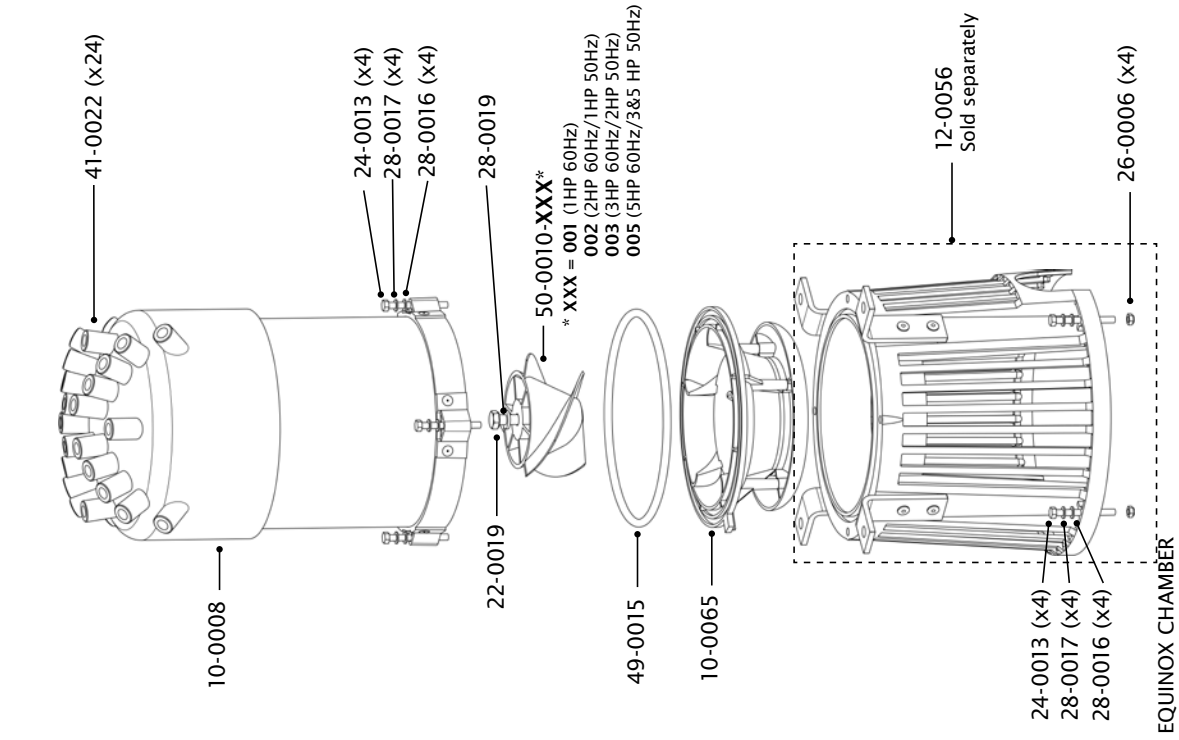


Can be purchased as complete chamber - see part numbers pages 4-6
NOTE: Standoff Strainer (part number 12-0056) is not part of pump chamber assembly.

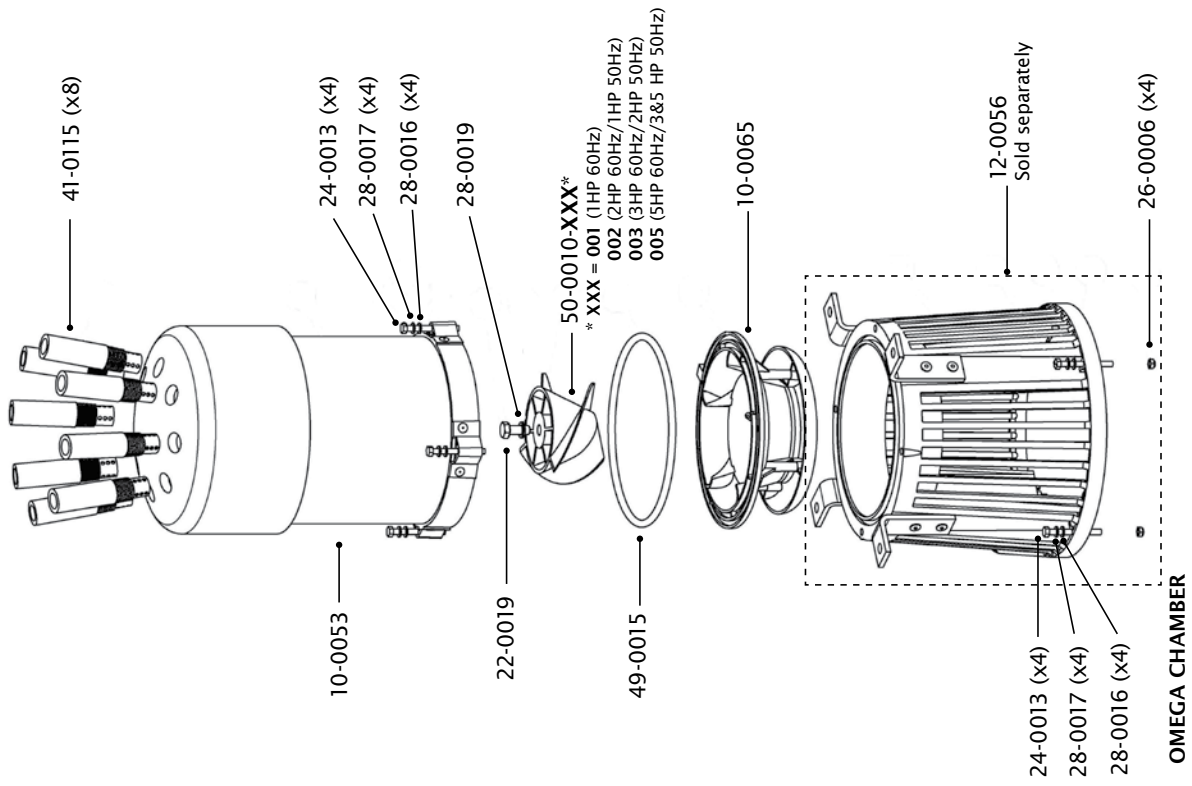


Can be purchased as complete chamber - see part numbers pages 4-6
NOTE: Standoff Strainer (part number 12-0056) is not part of pump chamber assembly.

Part Numbers with Pricing can be found on pages 4-9

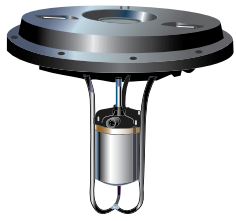


Can be purchased as complete chamber - see part numbers pages 4-6
 NOTE: Standoff Strainer (part number 12-0056) is not part of pump chamber assembly.



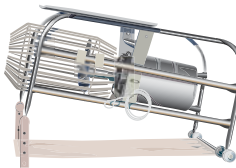
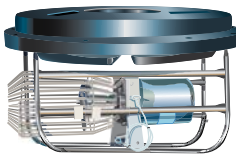
Can be purchased as complete chamber - see part numbers pages 4-6
 NOTE: Standoff Strainer (part number 12-0056) is not part of pump chamber assembly.

CONCEPT 2 / INDUSTRIAL AERATOR PARTS

**CONCEPT 2 PARTS / INDUSTRIAL AERATORS**

Electrical/PCC Parts are on pages 43-47

Exploded Part views are on pages 24-28



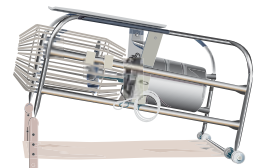
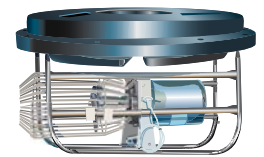
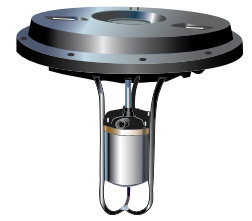
PART NUMBER	DESCRIPTION
16-0021-111	POWER UNIT TRITON 1HP 115/1/60
16-0021-115	POWER UNIT C2 1HP 1Ph 115/60
16-0021-121	POWER UNIT TRITON 1HP 230/1/60
16-0021-122	POWER UNIT TRITON 1HP 220/1/50
16-0021-125	POWER UNIT C2 1HP 230/1/60
16-0021-126	POWER UNIT C2 1HP 220/1/50
16-0021-221	POWER UNIT TRITON 2HP 230/1/60
16-0021-222	POWER UNIT TRITON 2HP 220/1/50
16-0021-225	POWER UNIT C2 2HP 230/1/60
16-0021-226	POWER UNIT C2 2HP 220/1/50
16-0021-321	POWER UNIT TRITON 3HP 230/1/60
16-0021-322	POWER UNIT TRITON 3HP 220/1/50
16-0021-323	POWER UNIT TRITON 3HP 230/3/60
16-0021-325	POWER UNIT C2 3HP 230/1/60
16-0021-326	POWER UNIT C2 3HP 220/1/50
16-0021-327	POWER UNIT C2 3HP 230/3/60
16-0021-336	POWER UNIT TRITON 3HP 380/3/60
16-0021-343	POWER UNIT TRITON 3HP 460/3/60
16-0021-344	POWER UNIT TRITON 3HP 400/3/50
16-0021-345	POWER UNIT C2 3HP 460/3/60
16-0021-346	POWER UNIT C2 3HP 400/3/50
16-0021-523	POWER UNIT TRITON 5HP 230/3/60
16-0021-525	POWER UNIT C2 5HP 230/3/60
16-0021-543	POWER UNIT TRITON 5HP 460/3/60
16-0021-544	POWER UNIT TRITON 5HP 400/3/50
16-0021-545	POWER UNIT C2 5HP 460/3/60
16-0021-546	POWER UNIT C2 5HP 400/3/50
16-0021-553	POWER UNIT TRITON 5HP 575/3/60
16-0021-555	POWER UNIT C2 5HP 575/3/60
19-0006-150	HV CHAMBER C2 1HP 50Hz
19-0006-160	HV CHAMBER C2 1HP 60Hz
19-0006-250	HV CHAMBER C2 2HP 50Hz
19-0006-260	HV CHAMBER C2 2HP 60Hz
19-0006-350	HV CHAMBER C2 3HP 50Hz
19-0006-360	HV CHAMBER C2 3HP 60Hz
19-0006-550	HV CHAMBER C2 5HP 50Hz
19-0006-560	HV CHAMBER C2 5HP 60Hz
19-0007-150	SUB-TRT ASP CHAMBR C2 1HP 50Hz
19-0007-160	SUB-TRT ASP CHAMBR C2 1HP 60Hz
19-0007-250	SUB-TRT ASP CHAMBR C2 2HP 50Hz
19-0007-260	SUB-TRT ASP CHAMBR C2 2HP 60Hz

CONCEPT 2 PARTS / INDUSTRIAL AERATORS

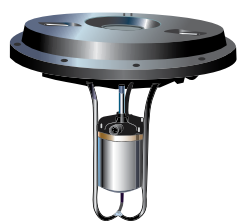
Electrical/PCC Parts are on pages 43-47

Exploded Part views are on pages 24-28

PART NUMBER	DESCRIPTION
19-0007-350	SUB-TRT ASP CHAMBR C2 3HP 50Hz
19-0007-360	SUB-TRT ASP CHAMBR C2 3HP 60Hz
19-0007-550	SUB-TRT ASP CHAMBR C2 5HP 50Hz
19-0007-560	SUB-TRT ASP CHAMBR C2 5HP 60Hz
19-0008-150	TRITON ASP CHAMBER C2 1HP 50Hz
19-0008-160	TRITON ASP CHAMBER C2 1HP 60Hz
19-0008-250	TRITON ASP CHAMBER C2 2HP 50Hz
19-0008-260	TRITON ASP CHAMBER C2 2HP 60Hz
19-0008-350	TRITON ASP CHAMBER C2 3HP 50Hz
19-0008-360	TRITON ASP CHAMBER C2 3HP 60Hz
19-0008-550	TRITON ASP CHAMBER C2 5HP 50Hz
19-0008-560	TRITON ASP CHAMBER C2 5HP 60Hz
19-0009-150	SUB-MIXER CHAMBER C2 1HP 50Hz
19-0009-160	SUB-MIXER CHAMBER C2 1HP 60Hz
19-0009-250	SUB-MIXER CHAMBER C2 2HP 50Hz
19-0009-260	SUB-MIXER CHAMBER C2 2HP 60Hz
19-0009-350	SUB-MIXER CHAMBER C2 3HP 50Hz
19-0009-360	SUB-MIXER CHAMBER C2 3HP 60Hz
19-0010-150	MIXER CHAMBER C2 1HP 50Hz
19-0010-160	MIXER CHAMBER C2 1HP 60Hz
19-0010-250	MIXER CHAMBER C2 2HP 50Hz
19-0010-260	MIXER CHAMBER C2 2HP 60Hz
19-0010-350	MIXER CHAMBER C2 3HP 50Hz
19-0010-360	MIXER CHAMBER C2 3HP 60Hz
SP-801	PHX CHAMBER C2 1HP 60HZ
SP-801-50	PHX CHAMBER C2 1HP 50HZ
SP-802	PHX CHAMBER C2 2HP 60HZ
SP-802-50	PHX CHAMBER C2 2HP 50HZ
SP-803	PHX CHAMBER C2 3HP 60HZ
SP-803-50	PHX CHAMBER C2 3HP 50HZ
SP-805	PHX CHAMBER C2 5HP 60HZ
SP-805-50	PHX CHAMBER C2 5HP 50HZ
SR-801	RKT CHAMBER C2 1HP 60HZ
SR-801-50	RKT CHAMBER C2 1HP 50HZ
SR-802	RKT CHAMBER C2 2HP 60HZ
SR-802-50	RKT CHAMBER C2 2HP 50HZ
SR-803	RKT CHAMBER C2 3HP 60HZ
SR-803-50	RKT CHAMBER C2 3HP 50HZ
SR-805	RKT CHAMBER C2 5HP 60HZ
SR-805-50	RKT CHAMBER C2 5HP 50HZ
SS-801	SNB CHAMBER C2 1HP 60HZ

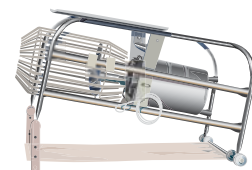
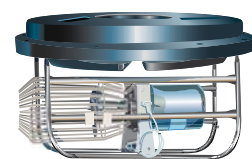


CONCEPT 2 / INDUSTRIAL AERATOR PARTS

**CONCEPT 2 PARTS / INDUSTRIAL AERATORS**

Electrical/PCC Parts are on pages 43-47

Exploded Part views are on pages 24-28



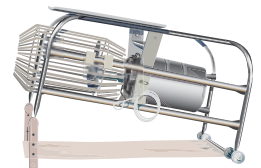
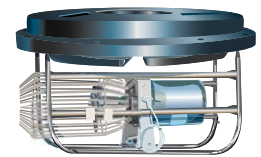
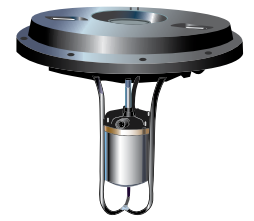
PART NUMBER	DESCRIPTION
SS-801-50	SNB CHAMBER C2 1HP 50HZ
SS-802	SNB CHAMBER C2 2HP 60HZ
SS-802-50	SNB CHAMBER C2 2HP 50HZ
SS-803	SNB CHAMBER C2 3HP 60HZ
SS-803-50	SNB CHAMBER C2 3HP 50HZ
SS-805	SNB CHAMBER C2 5HP 60HZ
SS-805-50	SNB CHAMBER C2 5HP 50HZ
ST-801	TRISTAR CHAMBER C2 1HP 60H
ST-801-50	TRISTAR CHAMBER C2 1HP 50HZ
ST-802	TRISTAR CHAMBER C2 2HP 60HZ
ST-802-50	TRISTAR CHAMBER C2 2HP 50HZ
ST-803	TRISTAR CHAMBER C2 3HP 60HZ
ST-803-50	TRISTAR CHAMBER C2 3HP 50HZ
ST-805	TRISTAR CHAMBER C2 5HP 60HZ
ST-805-50	TRISTAR CHAMBER C2 5HP 50HZ
10-0004	PLUG OIL C3/C2 w/O-RING
10-0005	STRAINER/LWR CHAMBER ASSY C2
10-0006	VOLUTE MANIFOLD ASSY C2
10-0009	SUPPORT FRAME ASSY TRT 2
10-0010	CABLE ASSY TRITON 2 MOORING
10-0013	VENTURI/THROAT ASSY TRITON C-2
10-0014	FLOAT/COUPLING ASSY SUB-TRITON
101-012	BOLT HEX S/S 3/8-16x2"
101-012A	BOLT HEX S/S 3/8-16x1 5"
12-0008	SCREEN HW KIT C2/C3/10HP
12-0010	HARDWARE KIT DEC PUMP CHAMBER
12-0018	ANCHOR KIT SUB-TRITON
12-0220	FLOW STRAIGHTENER KIT HV
15-0007	SCREEN 1/2"TRITON 2 13" RND
155-422	SLINGER DISC 6 15/16 DIA
20-0011	U-BOLT S/S 5/16-18 MC#8896T125
22-0018	BOLT HEX S/S 3/8-16x1 25" NYLN
24-0001	SCREW SET S/S 3/8-16x3/8"
24-0005	SCREW SET S/S 5/16"-24x1/4"
26-0001	NUT SERRATED FLANGE S/S 1/4-20
28-0003-001	WASHER SPLIT LOCK S/S #10
36-0002	START SWITCH 1HP C2 #17424434
36-0039	START SWITCH C2 1HP 2023+ #17448525
36-0042	START SWITCH 1HP C2 RETROFIT #17424434
40-0003	SUPPORT BRACE TRITON 2 S/S
40-0004	BRACKET U TRITON-2 FRAME/FLOAT

CONCEPT 2 PARTS / INDUSTRIAL AERATORS

Electrical/PCC Parts are on pages 43-47

Exploded Part views are on pages 24-28

PART NUMBER	DESCRIPTION
40-0005	SPACER S/S .5"OD X 2.0"L
40-0011	SUPPORT ROD SUB-TRI 3/8 * 22"L
40-0111	PLATE MTG FLOW STRAIGHTENER HV
41-0002	BUSHING VIBRATION DAMPING
41-0004	BARRIER BOTTOM SUB-TRITON ASP
41-0005	BARRIER BOTTOM SUB-TRT 2 MIXER
41-0006	PLATE VORTEX SUBTRITON MIXER
45-0006	RING MOUNTING TRT2 MOTOR
46-0004-034	TUBE TRITON 2 POLY 34"
46-0007	FITTING ELBOW I-FT PVC 1/2"
46-0012	CAP ROD END 3/8" BLACK PE
48-0001	GREASE 1G PACK SINGLE USE
48-0002	SILICONE 5 3 OZ TUBE DOW 111
48-0004	PAC-EASE LUBRICANT 1 PINT
49-0002	GROMMET 1" ARMY-NAVY #9307K79
49-0018	O-RING BUNA 70 AS-568A-156
50-0006-001	PROP TRT2 MIXER 1HP 60Hz
50-0006-002	PROP TRT2 MIX 2HP60Hz/1HP50Hz
50-0006-003	PROP TRT2 MIX 3HP60Hz/2HP50Hz
50-0006-053	PROP TRT2MIXER 5HP60Hz/3HP50Hz
50-0013-001	IMPELLER HV 1HP60Hz C2 MACH
50-0013-002	IMPELLER HV 2HP60Hz C2 MACH
50-0013-003	IMPELLER HV 3HP60Hz C2 MACH
50-0013-005	IMPELLER HV 5HP60Hz/3HP50Hz C2 MACH
50-0013-006	IMPELLER HV 5HP50Hz C2 MACH
614-019	BEARING BOTTOM C2 1HP FRANKLIN #6203
660-002	NUT HEX 316S/S 5/16-18
895-0041	SPACER SLINGER 9/16" LONG
895-0044	SPACER SLINGER 7/8" LONG
895-0045	SPACER VENTURI ASSY 1-3/8"L
895-0046	SPACER SLINGER .187" LONG
927-000	WASHER FLAT S/S 1/4"
927-003	WASHER FLAT S/S 3/8"
927-009	WASHER FENDER S/S 3/8"x1 5"OD
BP2803B	SCREW HEX SL S/S #10x3/4TYPE A
C2-100	RING TOLERANCE #AN52X15S3
C2-110	BOLT RIB NECK CAR S/S 1/4-20x1
C2-111	BOLT HEX S/S 3/8-16x3/4"
C2-1112	TERMINAL STRIP 4 POLE #50F3551
C2-112	NUT NYLON LOCK 316S/S 1/4-20
C2-115	BOLT HEX S/S 3/8-16 x 1 75

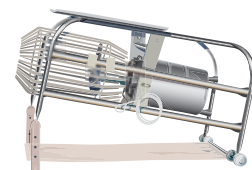
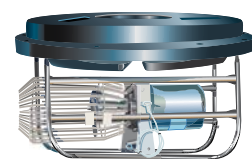
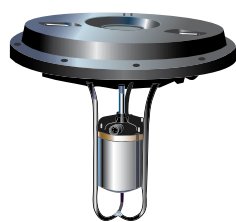


CONCEPT 2 / INDUSTRIAL AERATOR PARTS

CONCEPT 2 PARTS / INDUSTRIAL AERATORS

Electrical/PCC Parts are on pages 43-47

Exploded Part views are on pages 24-28



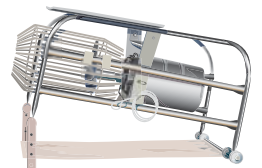
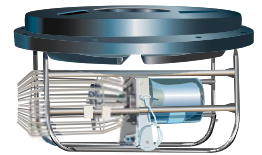
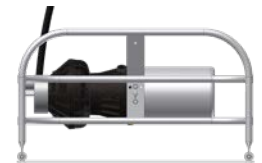
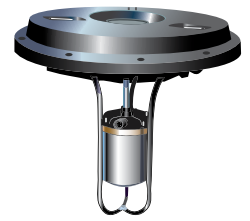
PART NUMBER	DESCRIPTION
C2-140	BOLT CARRG 430S/S 5/16-18x5 75
C2-203	MOTOR BASE PLATE ASSY C2
C2-205	RING MOUNTING C-2 BRASS
C2-301	PLATE SUPPORT ARM BRACE C-2
C2-310	SUPPORT ARM SHORT & BRACKET
C2-311	SUPPORT ARM SHORT ADJUSTABLE
C2-340	CAGE PROTECTIVE TRITON MIXER
C2-345	CLAMP TRITON MIXER CAGE
C2-350	BRACKET ANGLE ADJ TRT2 SUB MIX
C2-400	FLOAT C2
C2-522	START SWITCH 2HP C2 #294-613-990
C2-532	CAPACITOR 2HP C2 #275 472 128
C2-533	CAPACITOR 3HP 1Ph #16704616
C2-611	MOTOR 1HP C2 #17195978
C2-612	MOTOR 2HP C2 #17290152
C2-613-01	MOTOR C2 3HP w/bushing 1Ph #150 1007 104
C2-633	MOTOR C2 3HP 3Ph #15358080
C2-635	MOTOR C2 5HP 3Ph #15358079
C2-655	MOTOR 5HP 575V 3Ph 1301007150
C2-660	BEARING TOP ALL C2 #6205
C2-662	BEARING BOTTOM C2 2HP FRANKLIN #6304
C2-663	BEARING BTM C2 3&5HP BEFOR4/98
C2-700	O-RING BUNA 70 AS-568A-441
C2-704	ROTARY SEAL C2 ALL
C2-705	WAVEY WASHER C2 2 028"ODx1 575"ID
C2-706	O-RING PUMP CHAMBER C2 AS-568A-269
C2-708	O-RING RKT DIFFUSER C2 AS-568A-362
C2-720	SHAFT SLINGER/RUBBER Replaces C2-703
C2-801	IMPELLER SNB 1HP 60Hz
C2-802	IMPELLER SNB 2HP 60Hz/1HP 50Hz
C2-803	IMPELLER SNB 3HP 60Hz/2HP 50Hz
C2-805	IMPELLER SNB 5HP 60Hz/3HP 50Hz
C2-806	IMPELLER SNB 5HP 50Hz
C2-809	SPACER SLINGER C2 3HP & 5HP 1 165"L
C2-811	IMPELLER DEC 1HP 60Hz C2
C2-812	IMPELLER DEC 2HP 60Hz ONLY C2
C2-813	IMPELLR DEC 3HP60Hz/2HP50Hz C2
C2-815	IMPELLR DEC 5HP60Hz/3HP50Hz C2
C2-816	IMPELLER DEC 1HP 50Hz C2
C2-817	IMPELLER DEC 5HP 50Hz C2
C2-840	DIFFUSER HOUSING C2 VALOX

CONCEPT 2 PARTS / INDUSTRIAL AERATORS

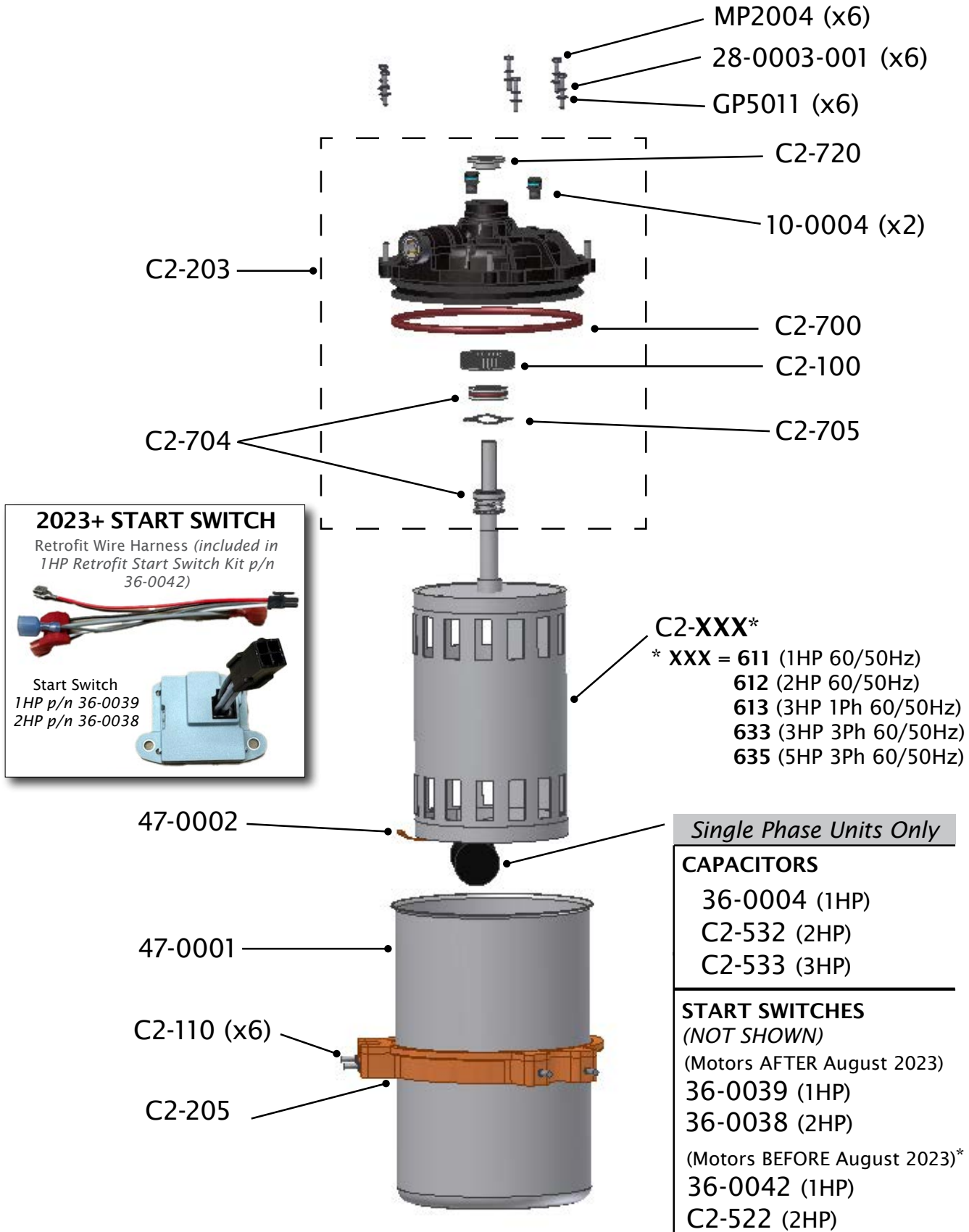
Electrical/PCC Parts are on pages 43-47

Exploded Part views are on pages 24-28

PART NUMBER	DESCRIPTION
C2-845	DIFFUSER PHX C-2
C2-850	DIFFUSER PLATE RKT C2 3 DEGREE
C2-870	DIFFUSER TRI-STAR C-2
EP6301	WASHER SPLIT LOCK S/S 3/8"
F-800-001B	SCREEN KIT 1/2" C2 HV/SNB
F-900-002F	SCREEN KIT 1/4" C2 DECORATIVE
HP4102	GFI SENSING RING KIT 30 ma #GF01ED60
MP2004	BOLT HEX S/S #10-24 x 1 25"
S-300	FLOAT/ARMS/HARDWARE ASSY C2
S-320	HARDWARE KIT C-2 ARM ASSY
S-400	THROAT ASSY C-2 SNB
S-C2-801	IMPELLER ASSY C2 1HP SNB
S-C2-802	IMPELLER ASSY C2 2HP SNB
S-C2-803	IMPELLER ASSY C2 3HP SNB
S-C2-805	IMPELLER ASSY C2 5HP SNB
SR-850	DIFF ASSY C-2 RKT 6 DEGREE



Part Numbers with Pricing can be found on pages 18-23



2023+ START SWITCH
 Retrofit Wire Harness (included in
 1HP Retrofit Start Switch Kit p/n
 36-0042)

Start Switch
 1HP p/n 36-0039
 2HP p/n 36-0038

Single Phase Units Only

CAPACITORS

36-0004	(1HP)
C2-532	(2HP)
C2-533	(3HP)

START SWITCHES
 (NOT SHOWN)
 (Motors AFTER August 2023)

36-0039	(1HP)
36-0038	(2HP)

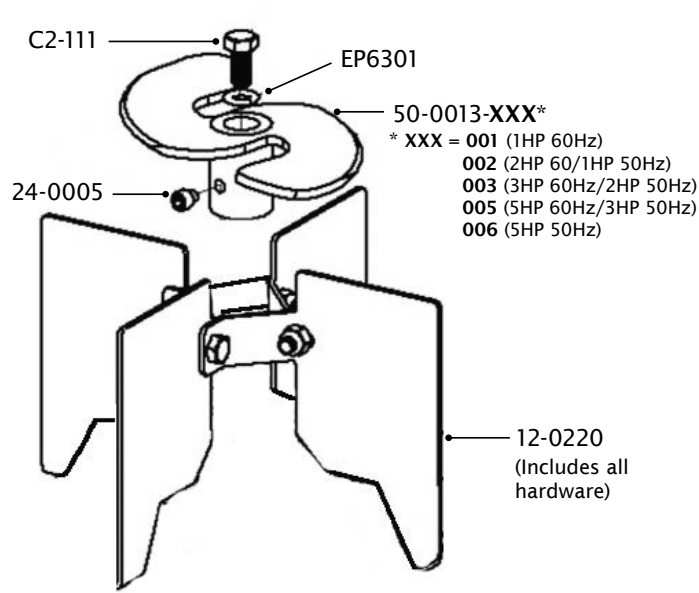
(Motors BEFORE August 2023)*

36-0042	(1HP)
C2-522	(2HP)

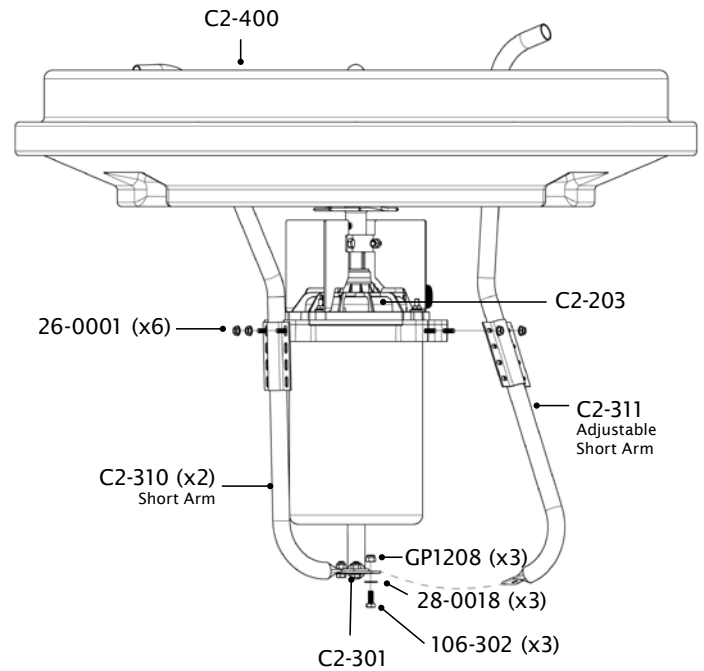
* 36-0042 is a retrofit kit and includes wire harness. C2-522 available until inventory is exhausted.

C2 POWER UNIT

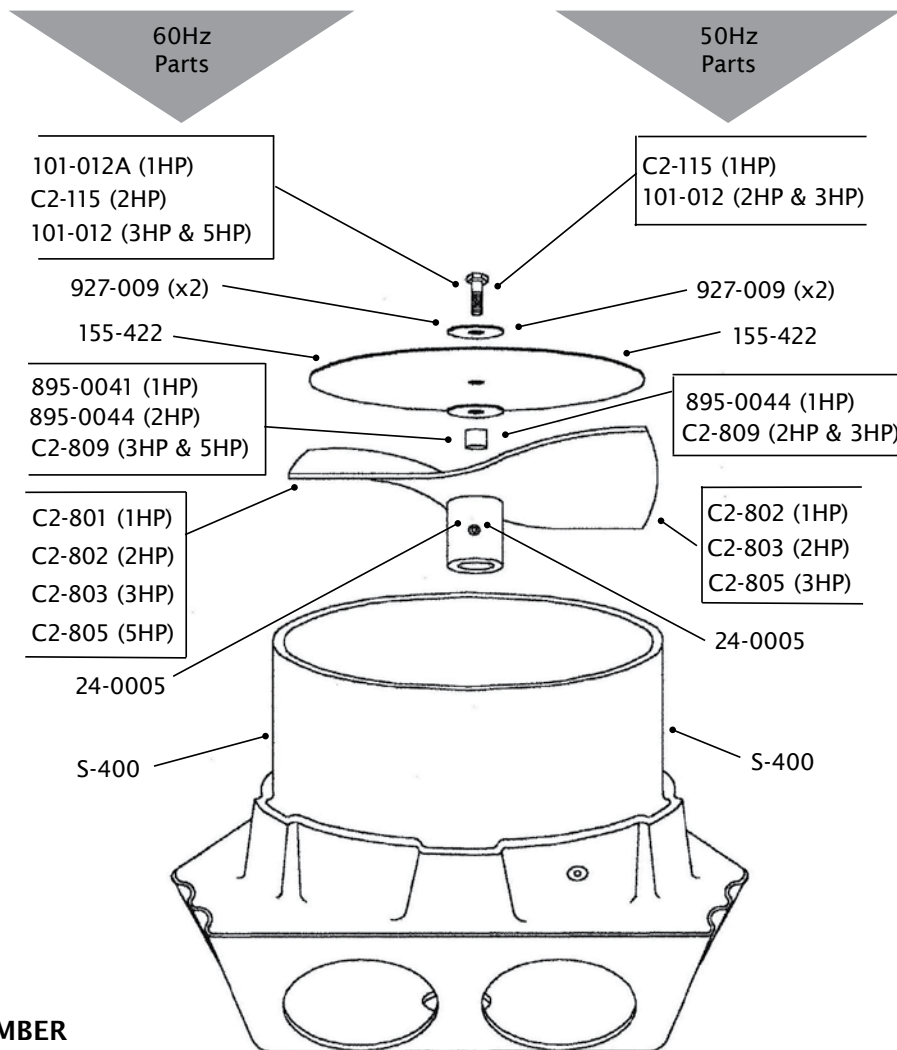
Can be purchased as complete power unit - see part numbers on page 18



HIGH VOLUME CHAMBER



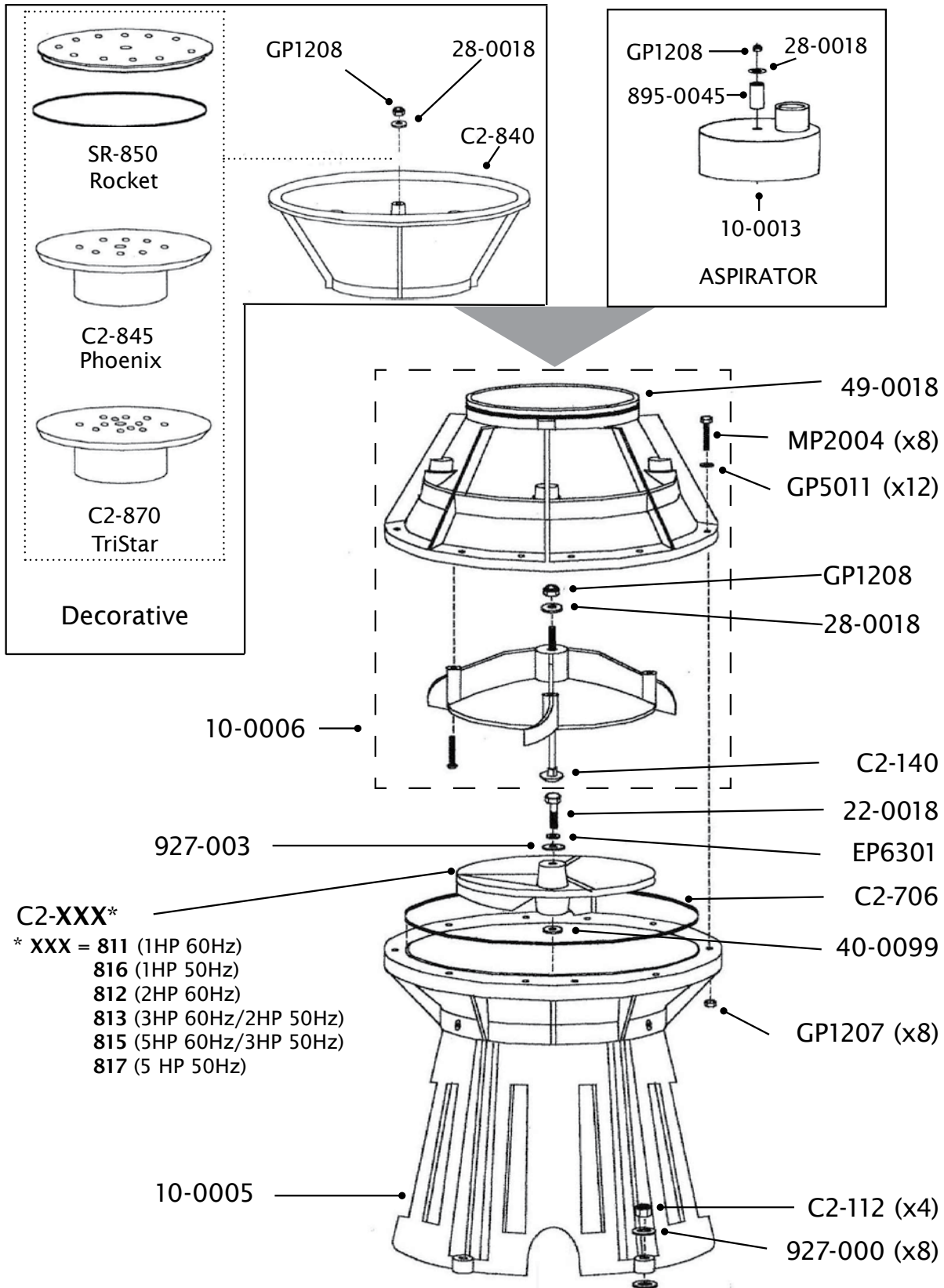
C2 FLOAT & ARMS



SUNBURST CHAMBER

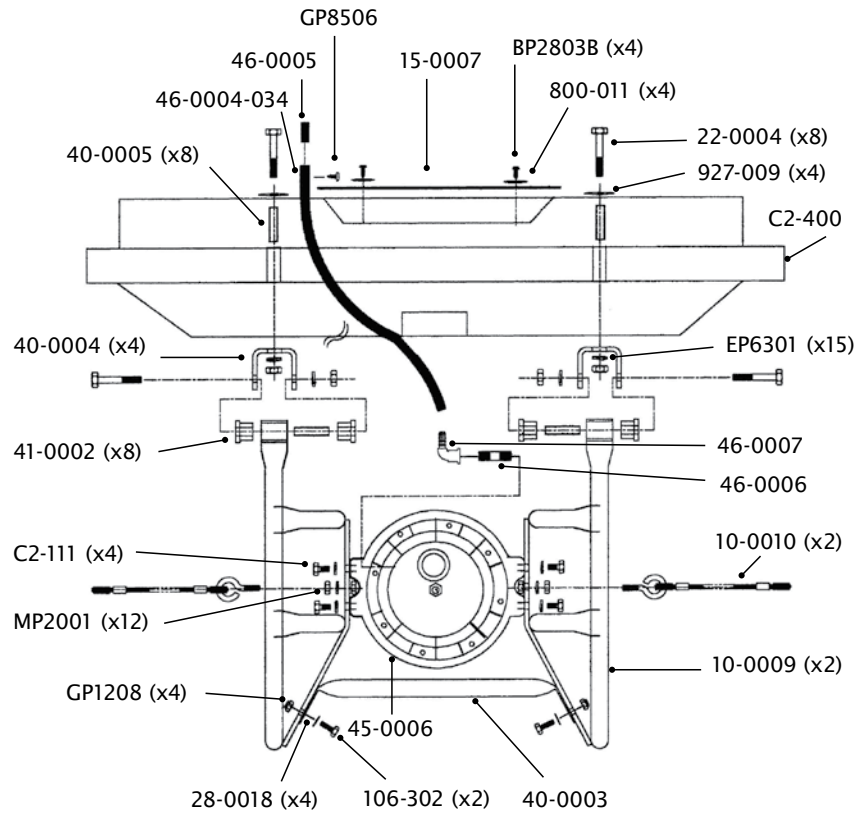
Can be purchased as complete chamber - see part numbers in Concept 2 Section

Part Numbers with Pricing can be found on pages 18-23

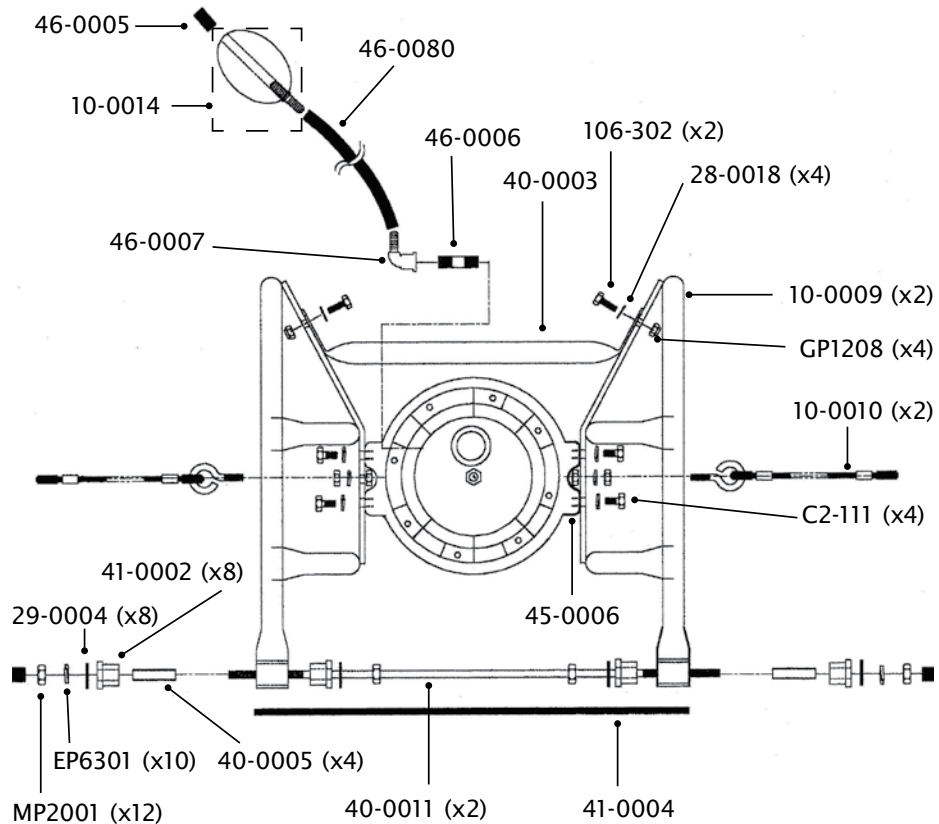


C2 DECORATIVE & ASPIRATOR CHAMBER

Can be purchased as complete chamber - see part numbers in Concept 2 Section

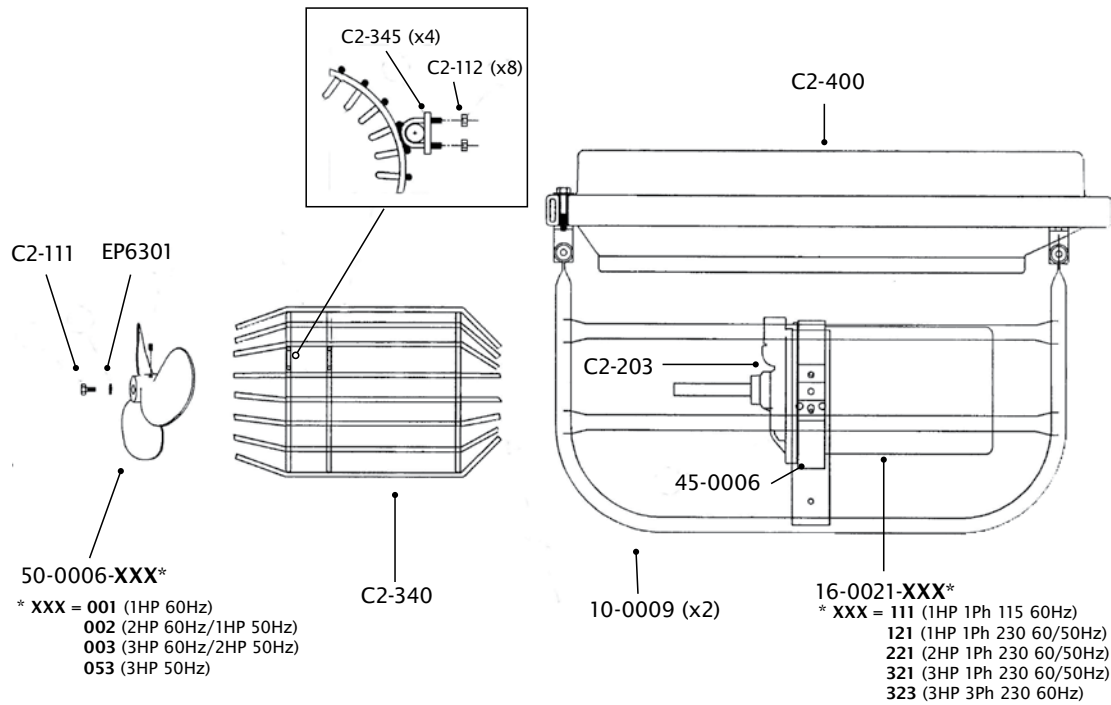


TRITON ASPIRATOR

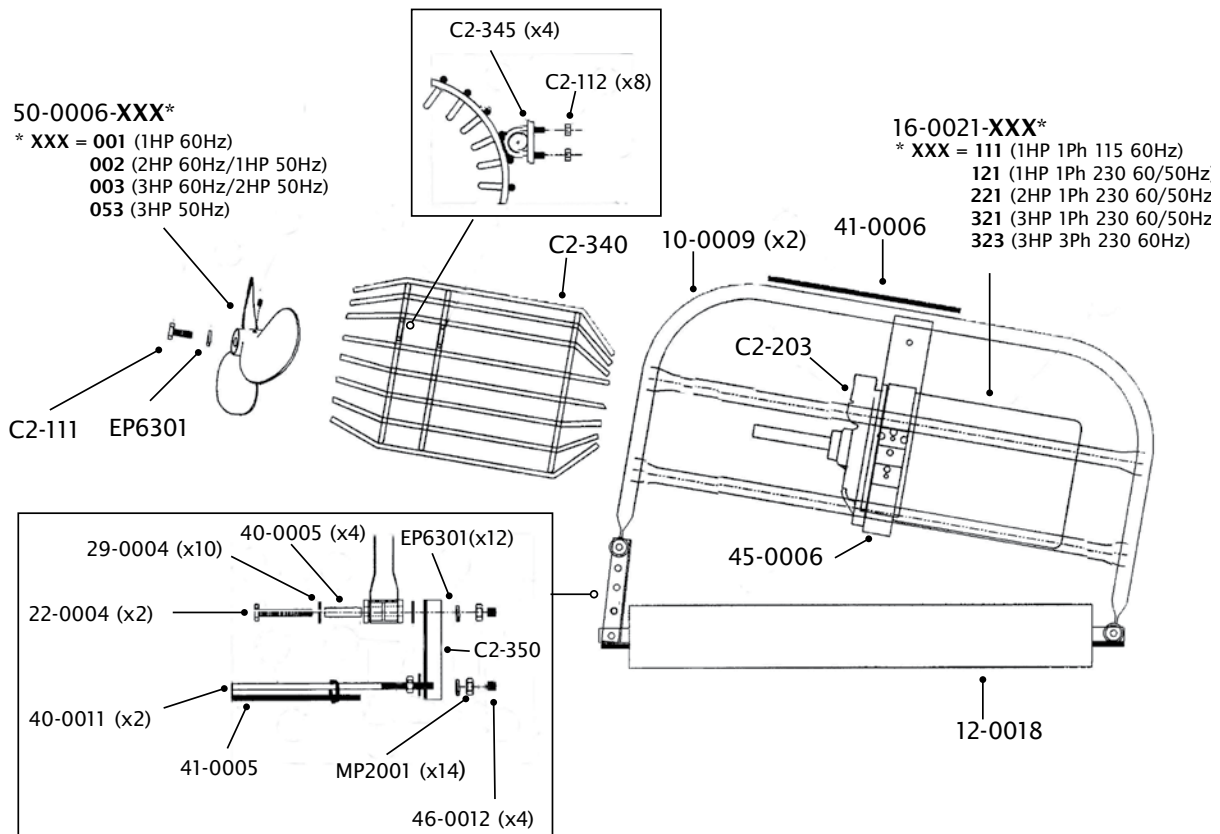


SUB - TRITON ASPIRATOR

Part Numbers with Pricing can be found on pages 18-23



TRITON MIXER



SUB - TRITON MIXER

FRACTIONAL SERIES PARTS

Electrical/PCC Parts are on pages 43

Exploded Part views are on pages 31-32



PART NUMBER	DESCRIPTION
13-0001	FS POWER UNIT 115/1/60 HDWIRED
13-0002	FS POWER UNIT 230/1/60 HDWIRED
13-0003	FS POWER UNIT 115/1/60 QD
13-0004	FS POWER UNIT 230/1/60 QD
13-0005	FS POWER UNIT 220/1/50 HDWIRED
13-0006	FS POWER UNIT 220/1/50 QD
10-0388	FRACTIONAL FIXED FOUNTAIN STAND
12-0106	SCREEN KIT 1/4" MESH FRAC SERIES
12-0125	MBP KIT, FS HARDWIRED 6FT 12/3
12-0126	KIT, FS QD MBP, 50/60Hz & CE
12-0127	KIT,FRAC SERIES SEALS
12-0194	SCREEN KIT 1/2" MESH FRAC SER
22-0006	BOLT HEX S/S M5x35 FULL THREAD
22-0040	BOLT,M6-1x40 SEALING HEX HD SS
22-0041	BOLT, M6-1x14 S/S HEX FS
24-0022	SCREW HEX S/S M6x20 FULL THRD
24-0034	SCREW PAN PHIL S/S M4x30
28-0005	WASHER, .505"x.938"x.036" SS
28-0023	WASHER FENDER S/S M6
30-0001	MOTOR 1/2HP FS #15354208
36-0023	CAPACITOR FRACTIONAL 16704806
36-0036	BEARING TOP FRACTIONAL #275127102
36-0037	BEARING BOTTOM FRACTIONAL #276032101
40-0012	BRACKET, 60Hz FLOAT, FS
40-0013	SLINGER DISC, GEMINI 60HZ FS
40-0014	SLINGER DISC, GEMINI 50HZ FS
40-0017	BRACKET, 50Hz FLOAT, FS
40-0022	SLINGER DISC, HV 60HZ FS
41-0064	SPACER, HIGH VOLUME THROAT FS
42-0042	FLOAT FRACTIONAL SERIES
42-0101	RING, MOTOR HOUSING FS
42-0102	CHAMBER, OPEN THROAT FS
42-0103	CHAMBER, DECORATIVE FS
42-0104	INTAKE, DECORATIVE IMPELLER FS
42-0105	IMPELLER, DECORATIVE 60Hz FS
42-0106	IMPELLER, DECORATIVE 50Hz FS
42-0107	PROP, OPEN THROAT 60Hz FS
42-0108	PROP, OPEN THROAT 50Hz FS
42-0110	NOZZLE, PHOENIX FS
42-0111	NOZZLE, ROCKET FS
47-0012	HOUSING 316 S/S FS MOTOR

FRACTIONAL SERIES PARTS



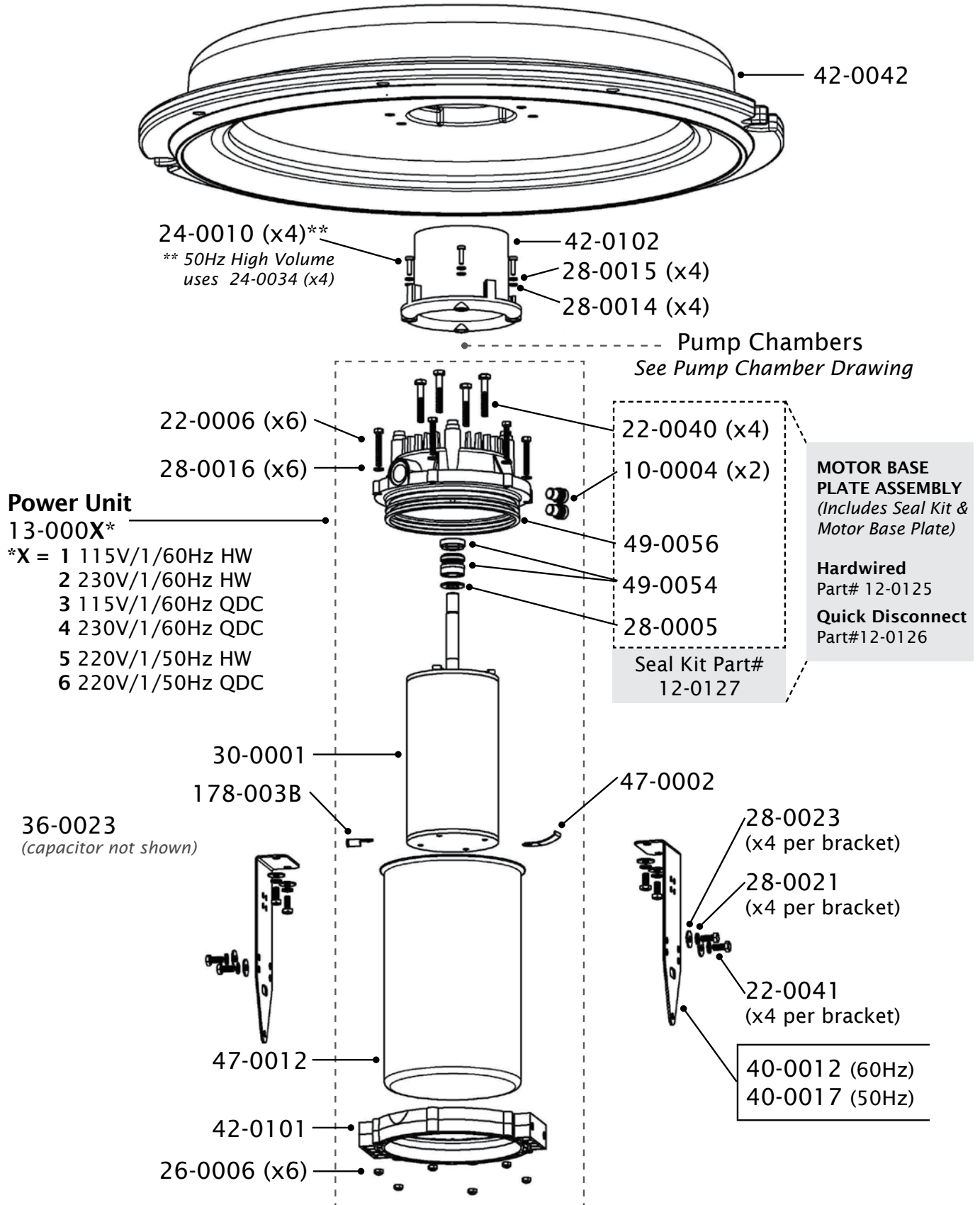
FRACTIONAL SERIES (1/2HP) PARTS

Electrical/PCC Parts are on pages 43

Exploded Part views are on pages 31-32

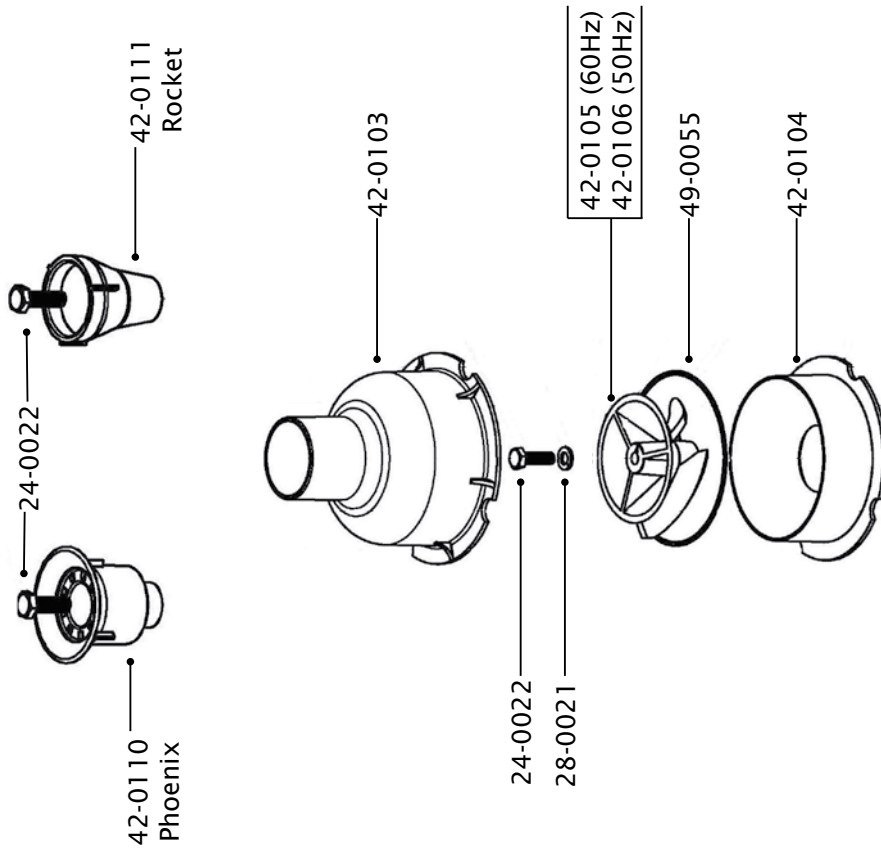


PART NUMBER	DESCRIPTION
49-0054	SEAL, FS TYPE G ROTARY
49-0055	O-RING BUNA 70 AS-568A-042
49-0056	O-RING BUNA 70 AS-568A-354
49-0057	O-RING BUNA 70 AS-568A-117
49-0059	O-RING BUNA 70 AS-568A-113
BP2879	PLUG AERATOR LEVITON #113



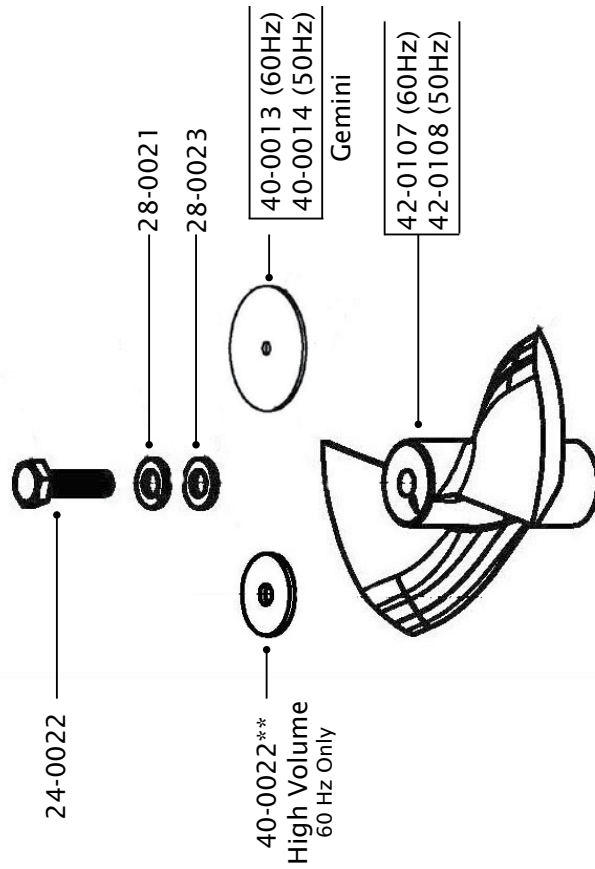
Part Numbers with Pricing can be found on pages 29-30

DECORATIVE PUMPS
Phoenix and Rocket



AERATION PUMPS
Mixer*, High Volume, Gemini

* Slinger Discs are not used with Mixer



** 50 Hz High Volume replaces slinger with 4 spacers mounted between motor base plate and Open Throat Chamber.
[Throat Spacer = Part# 41-0064 (x4)]

AIR FLO 3 PARTS

Contact the factory for exploded view drawings.



PART NUMBER	DESCRIPTION
09-3101-115	CABINET 1/2HP 1 VALVE 115V AF3
09-3101-220	CABINET 1/2HP 1 VALVE 220V AF3
09-3101-230	CABINET 1/2HP 1 VALVE 230V AF3
09-3102-115	CABINET 1/2HP 2 VALVE 115V AF3
09-3102-220	CABINET 1/2HP 2 VALVE 220V AF3
09-3102-230	CABINET 1/2HP 2 VALVE 230V AF3
09-3103-115	CABINET 115V 1-COMP 3-VALV AF3
09-3103-220	CABINET 220V 1-COMP 3-VALV AF3
09-3103-230	CABINET 230V 1-COMP 3-VALV AF3
09-3104-115	CABINET 1/2HP 4VALVE 115V AF3
09-3104-220	CABINET 1/2HP 4VALVE 220V AF3
09-3104-230	CABINET 1/2HP 4VALVE 230V AF3
09-3202-115	CABINET 1HP 2 VALVE 115V AF3
09-3202-220	CABINET 1HP 2 VALVE 220V AF3
09-3202-230	CABINET 1HP 2 VALVE 230V AF3
09-3203-115	CABINET 1HP 3 VALVE 115V AF3
09-3203-220	CABINET 1HP 3 VALVE 220V AF3
09-3203-230	CABINET 1HP 3 VALVE 230V AF3
09-3204-115	CABINET 1HP 4 VALVE 115V AF3
09-3204-220	CABINET 1HP 4 VALVE 220V AF3
09-3204-230	CABINET 1HP 4 VALVE 230V AF3
09-3206-115	CABINET 1HP 6 VALVE 115V AF3
09-3206-220	CABINET 1HP 6 VALVE 220V AF3
09-3206-230	CABINET 1HP 6 VALVE 230V AF3
09-3208-115	CABINET 1HP 8 VALVE 115V AF3
09-3208-220	CABINET 1HP 8 VALVE 220V AF3
09-3208-230	CABINET 1HP 8 VALVE 230V AF3
12-0093-100	TUBING KIT WEIGHTED 100FT
12-0093-500	TUBING KIT WEIGHTED 500FT REEL
12-0094-100	TUBING KIT UNWEIGHTED 100FT
10-0300	ASSEMBLY MANIFOLD PIPING AF3
10-0301	DIFFUSER BASE ASSY 1-12" DISCS
10-0302	DIFFUSER BASE ASSY 2-12" DISCS
12-0215	KIT SPLICE AF3 TO AF2 HOSE
12-0041-115	KIT, COMPRESSOR 1/2HP 115V TN w/ FEET
12-0041-230	KIT, COMPRESSOR 1/2HP 230V TN w/ FEET
17-0084	AIRFLO III TIMER KIT
29-0008	WASHER 1/4 NYLON FLAT 0.073"
33-0012	CONNECTOR, 1/2 ST NM TUBING
33-0013	CONNECTOR, 1/2 2-HOLE CORD
34-0034	WRAP,WIRE SLEEVING MC#7840K32

AIR FLO 3 PARTS



AIR FLO 3 PARTS

Contact the factory for exploded view drawings.

PART NUMBER	DESCRIPTION
36-0011	CAPACITOR 12.5uF AF3 230V TN
36-0012	CAPACITOR 20uF AF3 115V TN
40-0035	FRAME, SIDE INTAKE SCREEN AF3
41-0153	BASE, PLASTIC AIRFLO 2, MACHINED
41-0275	BRACE COMPRESSOR SUPPORT AF3
41-0276	PLUG DIFFUSER BASE AF3
42-0008	BASE, AIR-FLO DIFFUSER
46-0062	MUFFLER, INTAKE FILTER
46-0064	LATCH LOCKABLE DRAW 300S/S
46-0069	DIFFUSER 12" DISC AF3 AFD350-P
46-0071	GROMMET 7/8IDx1-1/4OD SBR AF3
46-0072	GRILLE PLATED 150mm FAN
46-0105-250	PLUG 1/4"NPT HEX SOCKET BRASS
46-0124	CLAMP S/S WEIGHTED TUBE AIRFLO
46-0140	MOUNT COMPRESSOR DAMPENING
46-0162	FILTER, ELEMENT SOLBERG AF3
46-0217	CLAMP HOSE S/S MC #54195K17
56-0040	CAPACITOR COMP 30MFD AP716 AF3 GAST
65-0061	ELBOW 3/4PVC SLIP SCH40
65-0062	COUPLING 3/4FPTx3/4FPT
65-0063	CAP 3/4FPT PVC
67-0008	COUPLING 1/2" BRASS BARB #48758155
67-0030	FITTING, 1/2" BARBx1/4MNPT AF3
67-0035	VALVE 1/4NPT 30PSI RELIEF
67-0053	VALVE 1/4NPT MINIATURE BALL
67-0055	GAUGE 0-60PSI 1/4NPT LIQ FILL
67-0059	VALVE 3/8NPT MINIATURE BALL
67-0063	COUPLING 1/2"x 5/8" POLY BARB
67-0067	ELBOW 1/2" BARB x 1/2MNPT
67-0068	FITTING 1/2" BARB x 3/8MNPT
67-0070	FITTING, 1/2" BARBx1/2FNPT BRSS
67-0071	FITTING, 5/8" BARBx1/2MNPT BRSS
BP2875	PLUG PIPE DRY SEAL 3/8NPT S/S
31-0290	SWITCH 30A 2 POLE MOTOR START
31-0291	FAN 150x172x55mm 115V COOLING
31-0292	FAN 150x172x55mm 230V COOLING

GIANT FOUNTAIN PARTS

2nd Generation

Electrical/PCC Parts are on pages 48-49

Contact factory for exploded view drawings



PART NUMBER	DESCRIPTION
10-0311	GF MYSTIC 10HP 60Hz
10-0312	GF MYSTIC 10HP 50Hz
10-0313	GF MYSTIC 15HP 60Hz
10-0314	GF MYSTIC 15HP 50Hz
10-0315	GF MYSTIC 25HP 60Hz
10-0316	GF MYSTIC 25HP 50Hz
10-0331	GF POLARIS 10HP 60Hz
10-0332	GF POLARIS 10HP 50Hz
10-0333	GF POLARIS 15HP 60Hz
10-0334	GF POLARIS 15HP 50Hz
10-0335	GF POLARIS 25HP 60Hz
10-0336	GF POLARIS 25HP 50Hz
10-0341	GF TRIAD 10HP 60Hz
10-0342	GF TRIAD 10HP 50Hz
10-0343	GF TRIAD 15HP 60Hz
10-0344	GF TRIAD 15HP 50Hz
10-0345	GF TRIAD 25HP 60Hz
10-0346	GF TRIAD 25HP 50Hz
10-0351	GF SUPER NOVA 10HP 60Hz
10-0352	GF SUPER NOVA 10HP 50Hz
10-0353	GF SUPER NOVA 15HP 60Hz
10-0354	GF SUPER NOVA 15HP 50Hz
10-0355	GF SUPER NOVA 25HP 60Hz
10-0356	GF SUPER NOVA 25HP 50Hz
10-0361	GF AQUASTAR 10HP 60Hz
10-0362	GF AQUASTAR 10HP 50Hz
10-0363	GF AQUASTAR 15HP 60Hz
10-0364	GF AQUASTAR 15HP 50Hz
10-0365	GF AQUASTAR 25HP 60Hz
10-0366	GF AQUASTAR 25HP 50Hz
10-0371	GF EQUINOX 10HP 60Hz
10-0372	GF EQUINOX 10HP 50Hz
10-0373	GF EQUINOX 15HP 60Hz
10-0374	GF EQUINOX 15HP 50Hz
10-0375	GF EQUINOX 25HP 60Hz
10-0376	GF EQUINOX 25HP 50Hz
10-0381	GF ARIES 10HP 60Hz
10-0382	GF ARIES 10HP 50Hz
10-0383	GF ARIES 15HP 60Hz
10-0384	GF ARIES 15HP 50Hz

GIANT FOUNTAIN PARTS (2ND GEN)

GIANT FOUNTAIN PARTS

2nd Generation

Electrical/PCC Parts are on pages 48-49

Contact factory for exploded view drawings



PART NUMBER	DESCRIPTION
10-0385	GF ARIES 25HP 60Hz
10-0386	GF ARIES 25HP 50Hz
08-0075	WIND CTRL QD OPTION, GF
08-0076	WIND CTRL SHIELDED QD OPTION, GF
10-0039	VALVE ASSY 1 5" noCABLE WND CT
10-0040	VALVE ASSY 2" noCABLE WIND CNT
10-0137	RING ASSY AQUA/TRI 20 NOZZLES
10-0137-50	RING ASSY AQUA/TRI 20 NOZZ50HZ
10-0139	RING ASSY AQUA/TRI 28 NOZZLES
10-0200	FRAME ASSEMBLY ALL 10/15HP GF2
10-0220	ASSEMBLY,FRAME ALL 25HP GF2
10-0222	ASSEMBLY, DISCHARGE PIPE, 76"
10-0223	ASSEMBLY, DISCHARGE PIPE, 80"
10-0224	ASSEMBLY, DISCHARGE PIPE, 84"
10-0225	ASSEMBLY, DISCHARGE PIPE, 94"
10-0226	ASSEMBLY, DISCHARGE PIPE, 100"
10-0230	SCREEN ASSEMBLY ALL GF2
10-0230-316	SCREEN ASSEMBLY 316SS ALL GF2
10-0231	ASSEMBLY, INTAKE PIPE ALL GF2
10-0232	CONDUIT ASSEMBLY 50Hz GF2
10-0322	PIPE ASSY w/4"FLANGE FOR 76"FS
10-0323	PIPE ASSY w/4"FLANGE FOR 80"FS
10-0324	PIPE ASSY w/4"FLANGE FOR 84"FS
10-0325	PIPE ASSY w/4"FLANGE FOR 94"FS
10-0326	PIPE ASSY w/4"FLANGE 100"FS
12-0005	SPLICE KIT X-LARGE 3M #82-A3
12-0036	SPLICE KIT,UNIVRSL 10/15HP GF2
12-0037	SPLICE KIT, UNIVERSAL 25HP GF2
17-0016-001	QUICK DS 10/4sm FIELD APPLD GF
17-0016-002	QUICK DS 10/4&8/4 FIELD APP GF
17-0016-003	QUICK DS 6/4 FIELD APPLIED GF
17-0016-004	QUICK DS 4/4 FIELD APPLIED GF
178-011	PIGTAIL CONNECTOR GIANT FTN #CE2094-1533
178-014	COUPLING NYLON #600056-1
178-021	PIGTAIL FEMALE 10/4 GF CE20661527
20-0013	PIN, 0.1875 x 3" S/S COTTER
21-0005	STANDOFF M-F 1"x2-56 SCREW,HEX
21-0006	STANDOFF F-F 1"x2-56 SCREW,HEX
21-0008	SCREW PAN PHIL ZINC 2-56x1/4"
21-0011	WASHER SPLIT LOCK ZINC #2
22-0012	BOLT HEX FLNGE SS 5/16-18x5/8"

GIANT FOUNTAIN PARTS

2nd Generation

Electrical/PCC Parts are on pages 48-49

Contact factory for exploded view drawings



PART NUMBER	DESCRIPTION
24-0009	SCREW TRUSS SLTD S/S 8-32x5/16
24-0012	SCREW HEX S/S 10-32x2-1/2"
26-0009	NUT HEX S/S 5/8-11
28-0024	WASHER SPLIT LOCK S/S 1/4"
30-0003-100	MTR 10HP 208/3/60 SF
30-0003-150	MTR 15HP 208/3/60 SF
30-0003-250	MTR 25HP 208/3/60 SF
30-0004-100	MTR 10HP 230/1/60 SF
30-0004-150	MTR 15HP 230/1/60 SF
30-0005-100	MTR 10HP 230/3/60 SF
30-0005-150	MTR 15HP 230/3/60 SF
30-0005-250	MTR 25HP 230/3/60 SF
30-0006-100	MTR 10HP (380/460)/3/(50/60) SF
30-0006-150	MTR 15HP (380/460)/3/(50/60) SF
30-0006-250	MTR 25HP (380/460)/3/(50/60) SF
30-0010-100	PUMP 10HP 60Hz STANDARD 3"NPT
30-0010-150	PUMP 15HP 60Hz STANDARD 3"NPT
30-0010-250	PUMP 25HP 60Hz STANDARD 4"NPT
30-0011-100	PUMP 10HP 50Hz STANDARD 3"NPT
30-0011-150	PUMP 15HP 50Hz STANDARD 3"NPT
30-0011-250	PUMP 25HP 50Hz STANDARD 4"NPT
35-0002	STRAIN RELIEF LEWIS
35-0005	STRAIN RELIEF HUBBELL#02216030
35-0006-001	CONNECTOR MALE 6/4 #51H4M-1
35-0006-002	CONNECTOR FEMALE 6/4 #51H4F-1
35-0007-001	CONNECTOR MALE 4/4 #51L4M-1
35-0007-002	CONNECTOR FEMALE 4/4 #51L4F-1
35-0016	PIGTAIL FEMALE CE #CE20661529
35-0017	PIGTAIL MALE CE #CE2066-1530
36-0011-001	LEADS 6"MTR BRS NUT #305517901
36-0011-002	LEADS 6"MTR 316 NUT #305202902
40-0039	PLATE OUTSIDE FLOAT
40-0057	BRACKET A PATTRN RING 25HP GF2
40-0058	BRACKET B PATTERN RING ALL GF
40-0092	SCREEN S/S SM MYS/POL NOZZLE
40-0093	SCREEN S/S LG MYS/POL NOZZLE
40-0215	AXLE, SMALL WHEEL, ALL GF2
41-0019	NOZZLE 15HP 50/60Hz POLARIS
41-0033	NIPPLE 1 5" PVC w/HOLES MACH
41-0200	BUSHING LARGE WHEEL GF2
41-0240-344	NOZZLE 1/2NPT x .344" BORE GF2

GIANT FOUNTAIN PARTS (2ND GEN)

**GIANT FOUNTAIN PARTS**

2nd Generation

Electrical/PCC Parts are on pages 48-49

Contact factory for exploded view drawings

PART NUMBER	DESCRIPTION
41-0240-500	NOZZLE 1/2NPT x .500" BORE GF2
41-0260	SUPPORT MOTOR 8" LONG MACH GF2
41-0261	WHEEL, SMALL POLY, MACHINED GF2
41-0262	WHEEL, LARGE POLY MACHINED GF2
41-0281	NOZZLE 3/8NPTx.375"IDx1.5"L
42-0004	FLOAT 1/4 SECTION 36" RADII
42-0005	FLOAT 16" EXTENDING SECTION
46-0026	PLUG EXPANSION FLOAT GIANT FTN
46-0032	CLAMP CONDT 1 25" CARLON#E977G
46-0036	HOSE 1.25"ID S&D VERSIFLO 150
46-0037	CLAMP HOSE WORM-DRIVE #5661K11
46-0045	CLAMP HOSE WORM-DRIVE #5661K13
46-0082	PLUG BRASS 1/8"NPT #4429K311
48-0007	SEALANT THREAD LOCTITE 567
48-0008	CEMENT PVC GREY QUART #711-QT
48-0009	PRIMER PVC/CPVC CLEAR #P70C-QT
48-0016	ANTISEIZE 1GM PACK SINGLE USE
49-0053	O-RING BUNA 70 AS-568A-270
64-0006	SLEEVE S/S 22 GA LARGE NOZZLE
64-0007	SLEEVE S/S 22 GA SMALL NOZZLE
65-0027	NIPPLE PVC SCH 80 1 5"NPT X 2"
65-0030	CAP THREADED 1 5"NPT PVC SCH80
12-0813	KIT GF1 WHEEL RETROFIT

LIGHT PARTS

Electrical/PCC Parts are on pages 50-51

Exploded view drawing on page 42

PART NUMBER	DESCRIPTION
07-0041	4 LIGHT RGBW LED ASSY 40W 50/60Hz
07-0081	4 LIGHT RGBW LED ASSY 80W 50/60Hz
08-0122	MIDI 2 LIGHT SPLITTER SHIELDED
08-0123	MIDI 3 LIGHT SPLITTER SHIELDED
08-0124	MIDI 4 LIGHT SPLITTER SHIELDED
08-0126	MIDI 6 LIGHT SPLITTER SHIELDED
09-0029	LIGHT HSG ASSY MR16 NO BULB
09-0030-006	BULB & ORING COOL 6.5W LED FLOOD
09-0030-008	BULB & ORING COOL 6.5W LED NARROW
09-0030-060	BULB & ORING RGBW 4W MR16
09-0502	2 LIGHT LED SPLITTER/HSG ASSY
09-0504	4 LIGHT LED SPLITTER/HSG ASSY
09-0506	6 LIGHT LED SPLITTER/HSG ASSY
09-0511	MIDI REPLACEMENT LAMP 9W RGBW
09-0512	2 LIGHT SET MIDI RGBW ASMBY
09-0513	3 LIGHT SET MIDI RGBW ASMBY
09-0514	4 LIGHT SET MIDI RGBW ASMBY
09-0516	6 LIGHT SET MIDI RGBW ASMBY
09-0534	4 LIGHT LED GF SPLTR/HSG ASSY
10-0066	CLAMP ASSY MR16 PLASTIC LIGHT
12-0085	LED LENS KIT RED/BLU/GRN/YEL/PNK
12-0086	BRACKET KIT MR16 STD LIGHT IF
12-0098	BRKT/HW KIT MR16 LIGHT C3/C2
12-0216	FRAC STAND LIGHT BRACKET KIT
12-0217	C3/C2 STAND LIGHT BRACKET KIT
12-0410	KIT CARDS 1-8 MAXI-RGBW LIGHT SHOWS
12-0500	UNIVERSAL LIGHT BRACKET KIT
12-0503	MTG KIT 3 LIGHT LED SET STAND
12-0514	MTG KIT 4 LIGHT LED C2
12-0516	MTG KIT 6 LIGHT LED SET C2
12-0518	MTG KIT 8 LIGHT LED SET C2
12-0539-040	40W RGBW LENS REPLACE KIT
12-0539-080	80W RGBW LENS REPLACE KIT
12-0540	MTG KIT 4 LIGHT MIDI C3
12-0541	MTG KIT 6 LIGHT MIDI C3
12-0542	MTG KIT 8 LIGHT MIDI C3
12-0543	MTG KIT 3 LIGHT MIDI STAND
12-0544	MTG KIT 6 LIGHT MIDI STAND
12-0545	MTG KIT 2 LIGHT MIDI FRACTIONL
12-0546	MTG KIT 2 LIGHT MIDI C3



LIGHT PARTS

LIGHT PARTS

Electrical/PCC Parts are on pages 50-51

Exploded view drawings on page 42



PART NUMBER	DESCRIPTION
12-0547-040	40W RGBW LIGHT REPLACE KIT
12-0547-080	80W RGBW LIGHT REPLACE KIT
12-0609	MTG KIT MIDI LIGHT BRACKET C2 FLOAT
12-0709	MTG KIT 3-LIGHT MIDI BRACKET C2 FLOAT
12-0808	2 LAMP MR16 MINI-RGBW UPGRADE KIT
22-0029	BOLT HEX S/S M6x30 #91287A139
24-0016	BOLT HEX S/S 1/4-20x1 5"
24-0017	BOLT HEX S/S 1/4-20x5/8"
24-0018	SCREW PAN PHIL S/S M4x10
24-0019	SCREW PAN PHIL S/S M6x12
28-0001	WASHER FENDER S/S 1/4"x1 5"OD
28-0006	WASHER EXT STAR S/S 5/16"
28-0020	WASHER FLAT S/S M6
28-0021	WASHER SPLIT LOCK S/S M6
28-0022	WASHER INT STAR S/S M4
31-0303	REMOTE 2.4GHZ 4 ZONE MINI-RGBW RGB+CCT
31-0346	REMOTE 433MHZ MIDI-RGBW WL-433
35-0013	BULKHEAD CONN 2 PIN STD LITES
35-0022	SPLITTER 16/2 2-LIGHT MOLDED
35-0023	SPLITTER 16/2 3-LIGHT MOLDED
35-0024	SPLITTER 16/2 4-LIGHT MOLDED
35-0025	SPLITTER 16/2 4-LIGHT MOLDED GF
35-0026	SPLITTER 16/2 6-LIGHT MOLDED
40-0050	BRACKET S/S INSIDE LITE GT FTN
40-0060	BRACKET S/S OUTER DOUBLE LIGHT
40-0100	BRACKET S/S MR16 LIGHT C2 & C3
40-0105	BRACKET S/S MR16 LIGHT C2 & IF
42-0030	RING PLASTIC LIGHT MR16
46-0076	MOUNT VIBRATION DAMPENING S/S
46-0111	ADAPTOR FOR CLAMPING HANGER
47-0004	LENS GLASS 2 5"DIAx 128"THK
47-0005-001	LENS LED PLASTIC BLUE UM 2424
47-0005-002	LENS LED PLASTIC GREEN UM 2092
47-0005-003	LENS LED PLASTIC RED UM 2423
47-0005-004	LENS LED PLASTIC YELLOW UM 2208
47-0005-005	LENS LED PLASTIC PINK HHC 9095
49-0014	O-RING SILICONE 3.8mm x 54mm
65-0026	BUSHING POLY 3/4"MNPTx1/2"FNPT
CP4070	CLAMP HOSE S/S #B72HSP
CUSTOM SEQUENCE	CUSTOM LIGHT SEQUENCE RGBW
GP1207	NUT NYLON LOCK 316S/S #10-24

LIGHT PARTS

Electrical/PCC Parts are on pages 50-51

Exploded view drawing on page 42

PART NUMBER	DESCRIPTION
GP1208	NUT NYLON LOCK 316S/S 5/16-18
GP1720	BULKHEAD CONNECTOR 5 PIN SEQ
GP1724	LUG GROUND #87-005-LA-2
GP5003	CONNECTOR STRN RLF CF13NA-BK
GP5008	TY-RAP T&B TY175-50X
GP5011	WASHER FLAT S/S #10
MP6510	BULKHEAD CONN 3 PIN FRAC/LITES
MP6512	PIGTAIL NUT 3 PIN SMALL/MP6511 #1463126N
MP6513	PIGTAIL WASHER 3 PIN SMALL #13166151
MP6514	REVERSE PIGTAIL 2PIN SPLITTER -MALE



Part Numbers with Pricing can be found on pages 39-41

- 47-0005-001 (GR)
- 47-0005-002 (BL)
- 47-0005-003 (RD)
- 47-0005-004 (YL)
- 47-0005-005 (PK)

MR16 LIGHT FIXTURE
 • 6.5W LED
 • 4W MINI-RGBW LIGHTS

09-0030-XXX*
(bulb w/ O-ring)

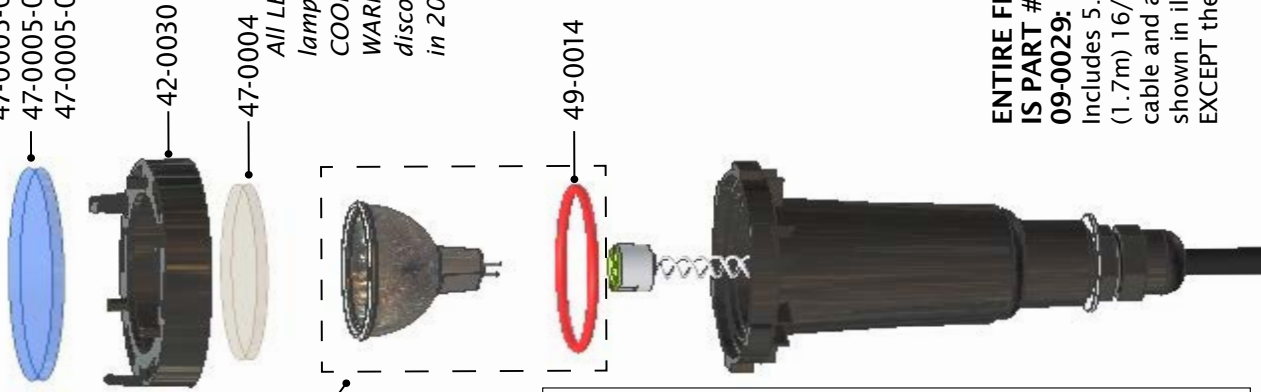
Mini-RGBW

* XXX = 060 (4W)

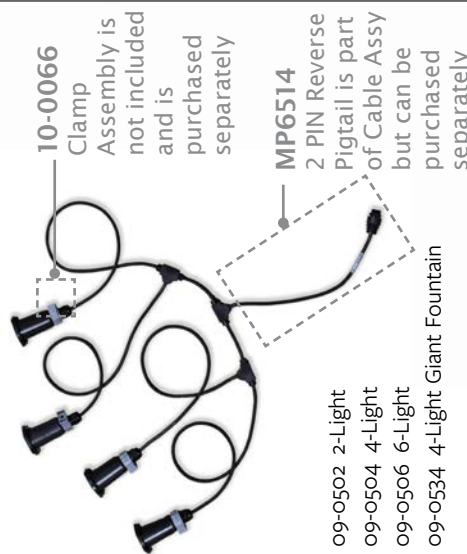
LED

* XXX = 006 (Bright/Flood)
 008 (Bright/Narrow)

NOTE: Flood bulbs are used on our 1HP-5HP LED light systems. A combination of narrow and flood can be used on our Giant Fountain LED light systems.



MR16 SPLITTER CABLE ASSEMBLY (MR16 LED Light Sets)



- 09-0502 2-Light
- 09-0504 4-Light
- 09-0506 6-Light
- 09-0534 4-Light Giant Fountain

Splitter Cable Assemblies Available: Light housings are potted directly to splitter cables, bulbs purchased separately.
(4-Light Splitter Assembly Shown)

ENTIRE FIXTURE IS PART # 09-0029:
 Includes 5.5ft (1.7m) 16/2 light cable and all items shown in illustration EXCEPT the bulb.

MIDI-RGBW LIGHT FIXTURE
 • 9W RGBW

MIDI SHIELDED LIGHT SPLITTER
(4-Light MIDI-RGBW Splitter Shown)



MIDI REPLACEMENT LIGHT



MIDI-RGBW SHIELDED LIGHT SPLITTER ASSEMBLY *(Includes lamps)*



MIDI-RGBW REMOTE



MIDI-RGBW REPLACEMENT PARTS
 09-0511 MIDI REPLACEMENT 9W RGBW
 31-0346 REMOTE 433MHZ RGBW

MIDI SHIELDED LIGHT SPLITTERS (NO LIGHT FIXTURES)
 08-0122 MIDI 2 LIGHT SPLITTER SHIELDED
 08-0123 MIDI 3 LIGHT SPLITTER SHIELDED
 08-0124 MIDI 4 LIGHT SPLITTER SHIELDED
 08-0126 MIDI 6 LIGHT SPLITTER SHIELDED

MIDI-RGBW SPLITTER ASSEMBLY INCL LIGHT HOUSINGS
 09-0512 2 LIGHT SET MIDI RGBW ASMBY
 09-0513 3 LIGHT SET MIDI RGBW ASMBY
 09-0514 4 LIGHT SET MIDI RGBW ASMBY
 09-0516 6 LIGHT SET MIDI RGBW ASMBY

Splice Kit 12-0049 is used to splice low voltage cable between light fixtures & junction box/connections

ELECTRICAL/PCC PARTS

PCC's are available with Digital or Mechanical Timers (M)

1/2HP to 5HP

PART NUMBER	DESCRIPTION
11-0020-115	PCC/TMR GFCI FRAC UNIT 115V60HZ
11-0020-220	PCC FRAC DELUXE UNIT 230/1/50
11-0024-230	PCC FRAC SERIES UNIT 230/1/60 UL508a
11-0024-230M	PCC FRAC UNIT 230/1/60 MTMR
11-0028-220	PCC FRAC UNIT 1/2HP 50HZ
11-1401-215	PCC 1HP 220V/1Ph/50Hz SW C2/C3
11-1402-215	PCC 2HP 220V/1Ph/50Hz SW C2/C3
11-1403-215	PCC 3HP 220V/1Ph/50Hz SW C2/C3
11-1403-335	PCC 3HP 380V/3Ph/50Hz SW C2/C3
11-1403-435	PCC 3HP 415V/3Ph/50Hz SW C2/C3
11-1405-335	PCC 5HP 380V/3Ph/50Hz SW C2/C3
11-1405-435	PCC 5HP 415V/3Ph/50Hz SW C2/C3
11-1425-536	PCC 5HP 575V/3Ph/60Hz SW EPD
11-3001-116	PCC 1HP 115V/1PH/60HZ
11-3001-116M	PCC 1HP 115V/1PH/60HZ MT
11-3001-216	PCC 1HP 230V/1PH/60HZ
11-3001-216M	PCC 1HP 230V/1PH/60HZ MT
11-3002-216	PCC 2HP 230V/1PH/60HZ
11-3002-216M	PCC 2HP 230V/1PH/60HZ MT
11-3003-216	PCC 3HP 230V/1PH/60HZ
11-3003-216M	PCC 3HP 230V/1PH/60HZ MT
11-3003-236	PCC 3HP 230V/3PH/60HZ
11-3003-236M	PCC 3HP 230V/3PH/60HZ MT
11-3003-436	PCC 3HP 460V/3PH/60HZ
11-3003-436M	PCC 3HP 460V/3PH/60HZ MT
11-3005-216	PCC 5HP 230V/1PH/60HZ
11-3005-216M	PCC 5HP 230V/1PH/60HZ MT
11-3005-236	PCC 5HP 230V/3PH/60HZ
11-3005-236M	PCC 5HP 230V/3PH/60HZ MT
11-3005-436	PCC 5HP 460V/3PH/60HZ
11-3005-436M	PCC 5HP 460V/3PH/60HZ MT
11-3011-116	PCC 1HP 115V/1PH/60HZ LIGHTS
11-3011-116M	PCC 1HP 115V/1PH/60HZ LIGHTS MT
11-3011-216	PCC 1HP 230V/1PH/60HZ LIGHTS
11-3011-216M	PCC 1HP 230V/1PH/60HZ LIGHTS MT
11-3012-216	PCC 2HP 230V/1PH/60HZ LIGHTS
11-3012-216M	PCC 2HP 230V/1PH/60HZ LIGHTS MT
11-3013-216	PCC 3HP 230V/1PH/60HZ LIGHTS
11-3013-216M	PCC 3HP 230V/1PH/60HZ LIGHTS MT
11-3013-236	PCC 3HP 230V/3PH/60HZ LIGHTS
11-3013-236M	PCC 3HP 230V/3PH/60HZ LIGHTS MT



ELECTRICAL/PCC PARTS (1/2HP-5HP)

**ELECTRICAL/PCC PARTS**

PCC's are available with Digital or Mechanical Timers (M)

1/2HP to 5HP

PART NUMBER	DESCRIPTION
11-3013-436	PCC 3HP 460V/3PH/60HZ LIGHTS
11-3013-436M	PCC 3HP 460V/3PH/60HZ LIGHTS MT
11-3015-216	PCC 5HP 230V/1PH/60HZ LIGHTS
11-3015-216M	PCC 5HP 230V/1PH/60HZ LIGHTS MT
11-3015-236	PCC 5HP 230V/3PH/60HZ LIGHTS
11-3015-236M	PCC 5HP 230V/3PH/60HZ LIGHTS MT
11-3015-436	PCC 5HP 460V/3PH/60HZ LIGHTS
11-3015-436M	PCC 5HP 460V/3PH/60HZ LIGHTS MT
11-3021-116	PCC 2in1 1HP 115/1/60 WEG
11-3021-116M	PCC 2in1 1HP 115/1/60 WEG MT
11-3021-216	PCC 2in1 1HP 230/1/60 WEG
11-3021-216M	PCC 2in1 1HP 230/1/60 WEG MT
11-3022-216	PCC 2in1 2HP 230/1/60 WEG
11-3022-216M	PCC 2in1 2HP 230/1/60 WEG MT
11-3023-216	PCC 2in1 3HP 230/1/60 WEG
11-3023-216M	PCC 2in1 3HP 230/1/60 WEG MT
11-3023-236	PCC 2IN1 3HP 230V/3PH/60HZ
11-3023-236M	PCC 2IN1 3HP 230V/3PH/60HZ MT
11-3023-436	PCC 2IN1 3HP 460V/3PH/60HZ
11-3023-436M	PCC 2IN1 3HP 460V/3PH/60HZ MT
11-3025-216	PCC 2in1 5HP 230/1/60 WEG
11-3025-216M	PCC 2in1 5HP 230/1/60 WEG MT
11-3025-236	PCC 2IN1 5HP 230V/3PH/60HZ
11-3025-236M	PCC 2IN1 5HP 230V/3PH/60HZ MT
11-3025-436	PCC 2IN1 5HP 460V/3PH/60HZ
11-3025-436M	PCC 2IN1 5HP 460V/3PH/60HZ MT
11-3031-116	PCC 2in1 1HP 115/1/60 WEG LGTS
11-3031-116M	PCC 2in1 1HP 115/1/60 LTS MTMR
11-3031-216	PCC 2in1 1HP 230/1/60 WEG LGTS
11-3031-216M	PCC 2in1 1HP 230/1/60 LTS MTMR
11-3032-216	PCC 2in1 2HP 230/1/60 WEG LGTS
11-3032-216M	PCC 2in1 2HP 230/1/60 LTS MTMR
11-3033-216	PCC 2in1 3HP 230/1/60 WEG LGTS
11-3033-216M	PCC 2in1 3HP 230/1/60 LTS MTMR
11-3033-236	PCC 2IN1 3HP 230V/3PH/60HZ LTS
11-3033-236M	PCC 2IN1 3HP 230V/3P/60 LTS MT
11-3033-436	PCC 2IN1 3HP 460V/3PH/60HZ LTS
11-3033-436M	PCC 2IN1 3HP 460V/3P/60 LTS MT
11-3035-216	PCC 2in1 5HP 230/1/60 WEG LGTS
11-3035-216M	PCC 2in1 5HP 230/1/60 LTS MTMR
11-3035-236	PCC 2IN1 5HP 230V/3PH/60HZ LTS

ELECTRICAL/PCC PARTS

PCC's are available with Digital or Mechanical Timers (M)

1/2HP to 5HP

PART NUMBER	DESCRIPTION
11-3035-236M	PCC 2IN1 5HP 230V/3P/60 LTS MT
11-3035-436	PCC 2IN1 5HP 460V/3PH/60HZ LTS
11-3035-436M	PCC 2IN1 5HP 460V/3P/60 LTS MT
12-0079	KIT HUBBELL GFCI RETROFIT SW
12-0116	KIT TIMER 7DAY DIG 120V 60Hz
12-0116M	KIT TIMER 7DAY DIG 120V 60Hz MECH
12-0117	KIT 31-0151 TIMER REPLACEMENT
12-0118	KIT TIMER 7DAY DIG 24VDC
12-0118M	KIT 31-0330-024 TMR REPLACEMENT MECH
17-0083-230	PHASE MONITOR OPTION 230V
17-0083-460	PHASE MONITOR OPTION 460V
27-0030	NUT CAP 10-32
31-0001	SWITCH RED NC #M22S-D-R-K01
31-0002	SWITCH GREEN NO #M22S-D-G-K20
31-0003	SWITCH RED NO #M22-PV-K01
31-0008-140	FUSE TIME DELY 1 4A FNM 1-4/10
31-0009-010	FUSE TIME DELAY 10A #LP-CC-10
31-0009-012	FUSE TIME DELAY 12A #LP-CC-12
31-0009-030	FUSE TIME DELAY 30A #LP-CC-30
31-0011	GFCI MODULE HUBBELL:GFSMST120A
31-0029	GFCI/EPD EATON 5/10/30mA TRIP
31-0034	LIGHT YELL INDIC M22-L-Y-230W
31-0049-215	BREAKER GFCI 15A 2P #QO215GFI
31-0049-220	BREAKER GFCI 20A 2P #QO220GFI
31-0049-230	BREAKER GFCI 30A 2P #QO230GFI
31-0049-240	BREAKER GFCI 40A 2P #QO240GFI
31-0049-250	BREAKER GFCI 50A 2P #QO250GFI
31-0049-260	BREAKER GFCI 60A 2P #QO260GFI
31-0055-125	BREAKER 115V 25A 1 POLE #QO125
31-0055-250	BREAKER 240V 50A 2 POLE #QO250
31-0055-260	BREAKER 240V 60A 2 POLE #QO260
31-0055-330	BREAKER 240V 30A 3 POLE #QO330
31-0056-002	BASE BREAKER MTG 2 POLE #QOMB2
31-0056-003	BASE BREAKER MTG 3 POLE #QOMB3
31-0098-315	BREAKER 15A SIEMENS #ED43B015L
31-0115	TRANSFRMR 50VA SOLA HD E050WB
31-0134-050	TRANSFORMER 50VA MC#B0502061GA
31-0142-001	NEUTRAL BAR SIEMENS#INSGB5-CS1
31-0155	BRACKET QCR BRKR CH #QCRMTGFT
31-0158	PHASE MONITOR SYMCOM MODEL 202
31-0168	TIMING MODULE #3RT1926-2CH21



ELECTRICAL/PCC PARTS (1/2HP-5HP)

**ELECTRICAL/PCC PARTS**

PCC's are available with Digital or Mechanical Timers (M)

1/2HP to 5HP

PART NUMBER	DESCRIPTION
31-0172-050	TRANSFORMER 50VA MC#B050WZ13RK
31-0200	MMP EATON 2-1/2A XTPR2P5BC1
31-0201	MMP EATON 6-1/3A XTPR6P3BC1
31-0202	MMP EATON 10A XTPR010BC1
31-0203	MMP EATON 12A XTPR012BC1
31-0204	MMP EATON 16A XTPR016BC1
31-0206	MMP EATON 25A XTPR025BC1
31-0220	CONTACTOR EATON 7A XTCE007B10A
31-0221	CONTACTOR EATON 9A XTCE009B10A
31-0222	CONTACTOR EATN 12A XTCE012B10A
31-0223	CONTACTOR EATN 15A XTCE015B10A
31-0224	CONTACTOR EATN 25A XTCE025C10A
31-0230	CONTACTOR EATON 7A XTCE007B10B
31-0231	CONTACTOR EATON 9A XTCE009B10B
31-0233	CONTACTOR EATN 15A XTCE015B10B
31-0234	CONTACTOR EATN 25A XTCE025C10B
31-0235	CONTACTOR EATN 32A XTCE032C10B
31-0240	SWITCH,EATON M22-YED0024
31-0242	CONNECTOR,EATON B-FR XTPAXTPCB
31-0243	CONNECTOR,EATN BC-FR XTPAXECMC
31-0245	SWITCH, EATON AUX XTPAXSA21
31-0245-001	SWITCH, EATON AUX 1NO 1NC
31-0246	KIT, EATON NEUTRAL BAR, BINA
31-0247	MODULE SHUNT EATON XTPAXSR
31-0250	SWITCH DISCONN EATON R5A3030U
31-0251	SWITCH DISCONN EATON R5A3040U
31-0252	SWITCH DISCONN EATON R5B3060U
31-0253	SWITCH DISCONN EATON R5B3080U
31-0254	SWITCH DISCONN EATON R9C3100U
31-0260	SHAFT DISCONNECT ET SF200SH5X5
31-0261	HANDLE DISCONNECT ETN SHB00N12
31-0262	SHAFT DISCONNECT ET SF320SH5X5
31-0311	DISCONNECTOR SWITCH WEG PCC MSWH40B
31-0312-150	BREAKER UL489 15A 460V 3P
31-0312-200	BREAKER UL489 20A 460V 3P
31-0312-250	BREAKER UL489 25A 460V 3P
31-0312-320	BREAKER UL489 32A 460V 3P
31-0313	SHUNT TRIP FOR FAZ BREAKERS
31-0314	GF SENSOR TRI-SET 24VDC AUTO
31-0315	DIN RAIL ANGLED SUPPORT
31-0316-038	CONTACTOR 38A 24VDC

ELECTRICAL/PCC PARTS

PCC's are available with Digital or Mechanical Timers (M)

1/2HP to 5HP

PART NUMBER	DESCRIPTION
31-0316-09	CONTACTOR 9A 24VDC
31-0316-18	CONTACTOR 18A 24VDC
31-0316-25	CONTACTOR 25A 24VDC
31-0317-09	CONTACTOR 9A 120VAC
31-0317-12	CONTACTOR 12A 120VAC
31-0317-15	CONTACTOR 15A 120VAC
31-0317-25	CONTACT 25A 120VAC 25-11-30D15
31-0317-32	CONTACTOR 32A 120VAC
31-0317-50	CONTACTOR 50A 120VAC
31-0318-04	OVERLOAD 2.8 TO 4A
31-0318-06	OVERLOAD 4 TO 6.3A
31-0318-08	OVERLOAD 5.6 TO 8A
31-0318-10	OVERLOAD 7 TO 10A
31-0318-12	OVERLOAD 8 TO 12.5A
31-0318-17	OVERLOAD 11to17 RW27-2D3-U017
31-0318-23	OVERLOAD 15 TO 23A
31-0318-32	OVERLOAD 22 TO 32A
31-0318-40	OVERLOAD 32 TO 40A
31-0318-50	OVERLOAD 32 TO 50A
31-0321	DIN RAIL SUPPORT BRACKET 90MM
31-0323	FUSE HOLDER HPG
31-0324-020	THERMAL CIRCUIT BREAKER KD1-2
31-0324-025	THERMAL CIRCUIT BREAKER 2.5A
31-0324-040	THERMAL CIRCUIT BREAKER KD1-4
31-0324-050	THERMAL CIRCUIT BREAKER KD1-5
31-0324-060	THERMAL CIRCUIT BREAKER KD1-6
31-0324-080	THERMAL CIRCUIT BREAKER KD1-8
31-0324-100	THERMAL CIRCUIT BREAKER KD1-10
31-0325	3 POSITION SELECT SWITCH
31-0327	CONTACT BLOCK NO
31-0328	HAND-OFF-AUTO-LEGEND
31-0329	HOA SWITCH
31-0335	PHASE MONITOR RELAY RMW17-FSF
31-0344	OFF-ON-LEGEND
31-0354	POWER SUPPLY 240W 230VAC 24VDC
31-0358-200	BREAKER 200A 3 POLE UL489
31-0367	POWER SUPPLY 480W 230VAC 24VDC
32-0068	CLAMP ASSY N4X WIEGMN #WAN4XRA
33-0017	TERMINAL BLOCK BUSSMAN NC3-WH
33-0024	COVER NC3 TERM BLK BUSSMAN LS3
37-0013	ASSEMBLY, PHASE MONITOR KIT



ELECTRICAL/PCC PARTS (1/2HP-5HP)

**ELECTRICAL/PCC PARTS**

PCC's are available with Digital or Mechanical Timers (M)

1/2HP to 5HP

PART NUMBER	DESCRIPTION
37-0015	ASSY EATON GFCI SUBPANEL MOUNT
37-0016	ASSY EATON GFCI SW NO LIGHTS
37-0017	ASSY EATON GFCI SW W/ LIGHTS
40-0403	SQUARE D BREAKER OPRATOR SHAFT
41-0109	SHAFT,EATON MMP 1.77" MACH
41-0390	OPERATOR SHAFT DISCONNECT SWITCH SIDE
HP1505	SURGE ARRESTOR 1Ph #LA302RSTR-UL
HP1506	SURGE ARRESTOR 3Ph #LA603STR-UL
HP1507	BRACKET SURGE ARRESTOR P/N#MB

ELECTRICAL/PCC PARTS

10HP to 25HP

PART NUMBER	DESCRIPTION
11-7010-216	PCC 10HP 230/1/60 GF2
11-7010-226	PCC 10HP 208/3/60 GF2
11-7010-236	PCC 10HP 230/3/60 GF2
11-7010-335	PCC 10HP 380/3/50 GF2
11-7010-336	PCC 10HP 380/3/60 GF2
11-7010-435	PCC 10HP 415/3/50 GF2
11-7015-216	PCC 15HP 230/1/60 GF2
11-7015-226	PCC 15HP 208/3/60 GF2
11-7015-236	PCC 15HP 230/3/60 GF2
11-7015-335	PCC 15HP 380/3/50 GF2
11-7015-336	PCC 15HP 380/3/60 GF2
11-7015-435	PCC 15HP 415/3/50 GF2
11-7025-335	PCC 25HP 380/3/50 GF2
11-7025-336	PCC 25HP 380/3/60 GF2
11-7025-435	PCC 25HP 415/3/50 GF2
11-7310-226	PCC 10HP 208/3/60 SUBMON GF2
11-7310-236	PCC 10HP 230/3/60 SUBMON GF2
11-7310-336	PCC 10HP 380/3/60 SUBMON GF2
11-7315-226	PCC 15HP 208/3/60 SUBMON GF2
11-7315-236	PCC 15HP 230/3/60 SUBMON GF2
11-7315-336	PCC 15HP 380/3/60 SUBMON GF2
11-7325-336	PCC 25HP 380/3/60 SUBMON GF2
11-7425-226	PCC 25HP 208/3/60 UL508A
11-7425-236	PCC 25HP 230/3/60 UL508A

ELECTRICAL/PCC PARTS

10HP to 25HP



PART NUMBER	DESCRIPTION
11-7525-226	PCC 25HP 208/3/60 SUBMN UL508A
11-7525-236	PCC 25HP 230/3/60 SUBMN UL508A
11-7610-436	PCC 10HP 460/3/60 UL508A
11-7615-436	PCC 15HP 460/3/60 UL508A
11-7625-436	PCC 25HP 460/3/60 UL508A
11-7710-436	PCC 10HP 460/3/60 SUBMN UL508A
11-7715-436	PCC 15HP 460/3/60 SUBMN UL508A
11-7725-436	PCC 25HP 460/3/60 SUBMN UL508A
01-0004-004	WIND CTRL OFF F/G PCC ALL 60Hz
01-0004-005	WIND CTL OFF/RED FG 10/15 60Hz
01-0004-006	WIND CTL OFF/RED FG 25HP 60Hz
01-0004-010	WIND CTRL OFF F/G PCC ALL 50Hz
01-0004-011	WIND CTL OFF/RED FG 10/15 50Hz
01-0004-012	WIND CTL OFF/RED FG 25HP 50Hz
31-0055-290	BREAKER 240V 90A 2 POLE #QO290
31-0055-3100	BREAKER 240V 100A 3P #QO3100
31-0088-100	CAP BOX DLX 10HP #2822029330
31-0090-150	CAP BOX DLX 15HP #2822039330
31-0099	TRANSFMR 200VA MIC#B200BTZ13RB
31-0134-100	TRANSFORMER 100VA 400V TO 230V
31-0205	MMP EATON 20A XTPR020BC1
31-0207	MMP EATON 32A XTPR032BC1
31-0208	MMP EATON 32A XTPR032DC1
31-0209	MMP EATON 40A XTPR040DC1
31-0210	MMP EATON 50A XTPR050DC1
31-0211	MMP EATON 58A XTPR058DC1
31-0212	MMP EATON 63A XTPR063DC1
31-0225	CONTACTOR EATN 32A XTCE032C10A
31-0226	CONTACTOR EATN 40A XTCE040DS1A
31-0227	CONTACTOR EATN 50A XTCE050DS1A
31-0228	CONTACTOR EATN 65A XTCE065DS1A
31-0229	CONTACTOR EATN 80A XTCE072DS1A
31-0236	CONTACTOR EATN 40A XTCE040D00B
31-0237	CONTACTOR EATN 50A XTCE050DS1B
31-0238	CONTACTOR EATN 65A XTCE065DS1B
31-0239	CONTACTOR EATN 80A XTCE072DS1B
31-0244	CONNECTOR,EATON D-FR XTPAXECMD
31-0249	OVERLOAD EATN 65-70 XTOB075DC1
31-0255	SWITCH DISCONN EATON 200A
38-0004	MAST ANEMOMETER MTG #STUB
41-0114	SHAFT,EATON MMP 1-3/8" MACH



ELECTRICAL/PCC PARTS

FOUNTAIN GLO™ LIGHTS

PART NUMBER	DESCRIPTION
11-1522	PCC 2 MR16 LED/MIDI CONTROLS 50Hz
11-1524	PCC 4 MR16 LED/MIDI CONTROLS 50Hz
11-1526	PCC 6 MR16 LED/MIDI CONTROLS 50Hz
11-1528	PCC 8 MR16 LED/MIDI CONTROLS 50Hz
11-1612	PCC 12 LIGHT MR16 LED 60Hz GF
11-1616	PCC 16 LIGHT MR16 LED 60Hz GF
11-1622	PCC 12 LIGHT MR16 LED 50Hz GF
11-1626	PCC 16 LIGHT MR16 LED 50Hz GF
11-1628	PCC 8 LIGHT MR16 LED 50Hz GF
11-1631	PCC 8 LIGHT MR16 LED 60Hz GF
11-4000-116	PCC RGBW LIGHTING 40W 115/1/60
11-4000-116M	PCC RGBW 40W 115/1/60 M-TMR
11-4000-215	PCC RGBW LIGHTING 40W 220/1/50
11-4020-116	PCC LIGHTING LED/MIDI 100W 24VDC 110VAC
11-8000-116	PCC RGBW LIGHTING 80W 115/1/60
11-8000-116M	PCC RGBW 80W 115/1/60 M-TMR
11-8000-215	PCC RGBW LIGHTING 80W 230/1/50Hz
11-1502	LIGHT CONTROL 2 LED SWPNL 60Hz
11-1504	LIGHT CONTROL 4 LED SWPNL 60Hz
11-1506	LIGHT CONTROL 6 LED SWPNL 60Hz
11-1508	LIGHT CONTROL 8 LED SWPNL 60Hz
11-1512	LIGHT CONTROL 2LED SUBPNL 60Hz
11-1514	LIGHT CONTROL 4LED SUBPNL 60Hz
11-1516	LIGHT CONTROL 6LED SUBPNL 60Hz
11-1518	LIGHT CONTROL 8LED SUBPNL 60Hz
12-0209	KIT, 75mm DIN RAIL
17-0005	PHOTOCELL OPTION 110VAC CNTRL
17-0005-024	PHOTOCELL OPTION 24VDC CNTRL
17-0013	TRANSFORMER NO NEUTRAL 50VA
17-0033-002	TRANSFORMER OPT MAXI-RGBW 80W
17-0033-011	TRANSFORMER OPT MAXI-RGBW 40W
12-0128	KIT, MIDI TIME DELAY, 60HZ PCC (Field apply)
12-0129	KIT, MIDI TIME DELAY, 50HZ PCC (Field apply)
17-0087	MIDI TIME DELAY OPTION, SINGLE PHASE 60HZ
17-0088	MIDI TIME DELAY OPTION, THREE PHASE 60HZ
17-0089	MIDI TIME DELAY OPTION, LIGHTING PCC 60HZ
17-0090	MIDI TIME DELAY OPTION, LIGHTING PCC 50HZ
31-0008	FUSE COVER 30A BUSSMAN#SAMI-7I
31-0008-004	FUSE TIME DELAY 4A #FNQ 4
31-0008-100	FUSE TIME DELAY 1A FNM 1
31-0024	TRANS W/ PHOTOCELL 60W/LED FRAC

ELECTRICAL/PCC PARTS (LIGHTS)

ELECTRICAL/PCC PARTS

FOUNTAIN GLO™ LIGHTS

PART NUMBER	DESCRIPTION
31-0049-125	BREAKER GFCI 25A 1P #QO125GFI
31-0049-130	BREAKER GFCI 30A 1P #QO130GFI
31-0056-001	BASE BREAKER MTG 1 POLE #QOMB1
31-0061-001	FUSE TIME DELAY CC #FNQ-R-1
31-0065	CONTACT BLOC AUX XTCEXFAC13
31-0068	BREAKER SUPP 8A SIEM#5SY4108-7
31-0082-001	RELAY 25A DC CONTROL #RSSDN25A
31-0082-002	RELAY 25A AC CONTRL E45R240A25
31-0167	AUX CONTACT 2NO #3RH1921-1EA20
31-0273	POWER SUPPLY 150W 30VDC RGBW
31-0274	POWER SUPPLY 240W 30VDC RGBW
31-0275	POWER SUPPLY 12VDC 12W RGBW
31-0319	POWER SUPPLY, 100W 24VDC
31-0320	POWER SUPPLY 120W 460VAC 24VDC
37-0003	FUSE HOLDER ASSY 1 POLE 30A
614-052	GFCI BLANK FACE LEVITON GFRBFI



1HP-5HP Panel Part Numbers with Pricing can be found on pages 43-47

Light Part Numbers with Pricing can be found on pages 50-51

1PH

**NEW PANEL DESIGN
JANUARY 2020 (60Hz)**

Use for Reference Purposes Only

SINGLE PHASE PCC

Illustration is a 230V 1Ph Panel with Low Voltage Light Controls, Refer to Three Phase PCC Illustration when needed.

Optional 24HR Mechanical Timer Available - P/N 12-0116M (Replaces 12-0116)

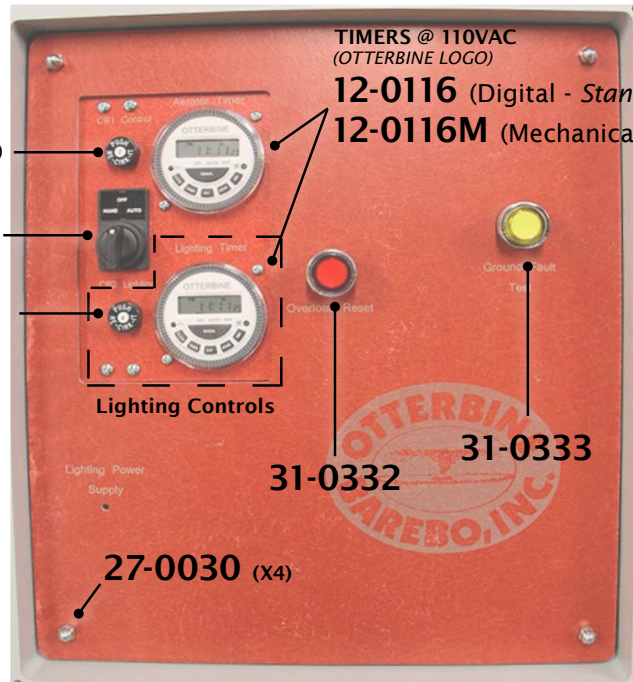
Parts vary in size and shape depending on voltage and phase. Mounting hardware is not called out in illustration.

Additional Resources for Panels can be found on Otterbine's Distributor Dashboard.

31-0324-020 (2amp)

31-0329

31-0324-040 (4amp)



SQUARE D GFCI BREAKER 1PH

- 31-0049-130 = 1HP 115V
- 31-0049-220 = 1HP 230V
- 31-0049-230 = 2HP 230V
- = 3HP 230V
- 31-0049-250 = 5HP 230V

40-0403 (Operator Shaft Assy 1PH)

31-0311 (Disconnect Handle)

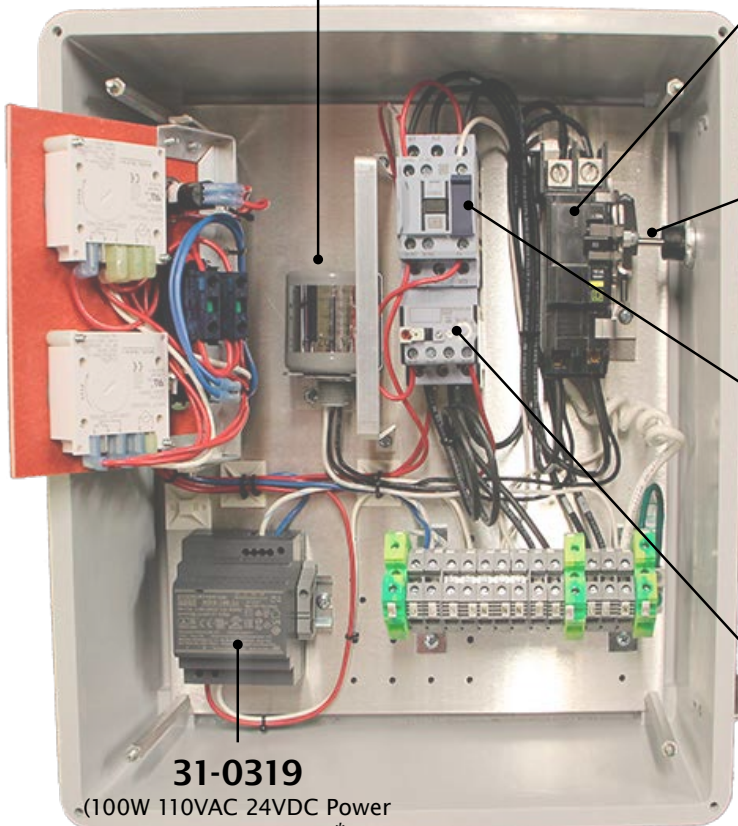
CONTACTOR 120VAC

- 31-0317-25 = 1HP 115V
- 31-0317-12 = 1HP 230V
- 31-0317-25 = 2HP 230V
- = 3HP 230V
- 31-0317-32 = 5HP 230V

OVERLOAD

- 31-0318-23 = 1HP 115V
- 31-0318-10 = 1HP 230V
- 31-0318-17 = 2HP 230V
- = 3HP 230V
- 31-0318-32 = 5HP 230V

HP1505 (1PH)



** Old style 30W, 60W, & 100W 15VDC power supplies are obsolete and should be replaced with p/n 31-0319 100W 110VAC 24VDC*

3PH

**NEW PANEL DESIGN
JANUARY 2020 (60Hz)**

Use for Reference Purposes Only

THREE PHASE PCC

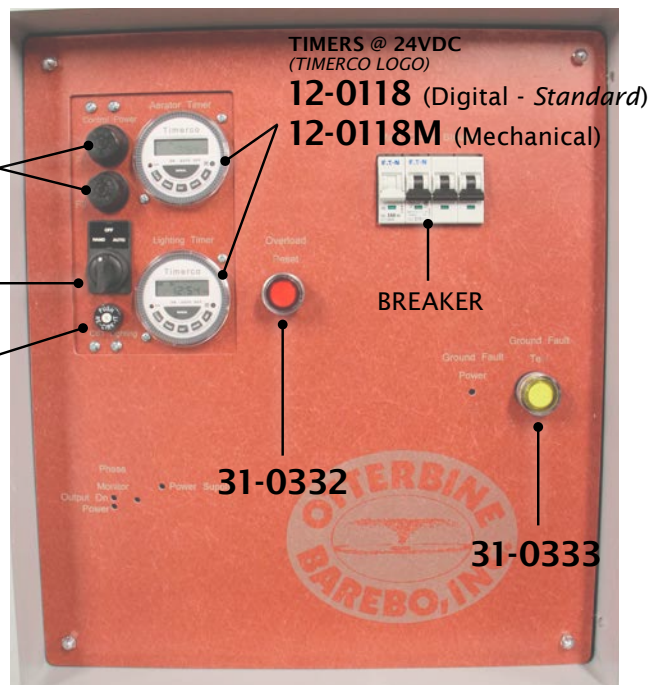
Illustration is a 460V 3Ph Panel with Low Voltage Light Controls, Refer to Single Phase PCC Illustration when needed.

Optional 24HR Mechanical Timer Available - P/N 12-0118M (Replaces 12-0118)

Parts vary in size and shape depending on voltage and phase. Mounting hardware is not called out in illustration.

Additional Resources for Panels can be found on Otterbine's Distributor Dashboard.

- 31-0323**
x2 (Fuse Holder)
- 31-0324-040** (230V/3Ph)
x2 (4amp Breaker)
- 31-0008-004** (460V/3Ph)
x2 (4amp Fuse)
- 31-0329**
- 31-0324-050**
(5amp Breaker)



- EATON BREAKER 3PH**
- 31-0312-250 = 3HP 230V
 - 31-0312-150 = 3HP 460V
 - 31-0312-320 = 5HP 230V
 - 31-0312-200 = 5HP 460V

- CONTACTOR 24VDC**
- 31-0316-18 = 3HP 230V
 - 31-0316-09 = 3HP 460V
 - 31-0316-25 = 5HP 230V
 - 31-0316-09 = 5HP 460V

- OVERLOAD**
- 31-0318-12 = 3HP 230V
 - 31-0318-06 = 3HP 460V
 - 31-0318-17 = 5HP 230V
 - 31-0318-08 = 5HP 460V

31-0314 (GFCI Current Sensor 24VDC)

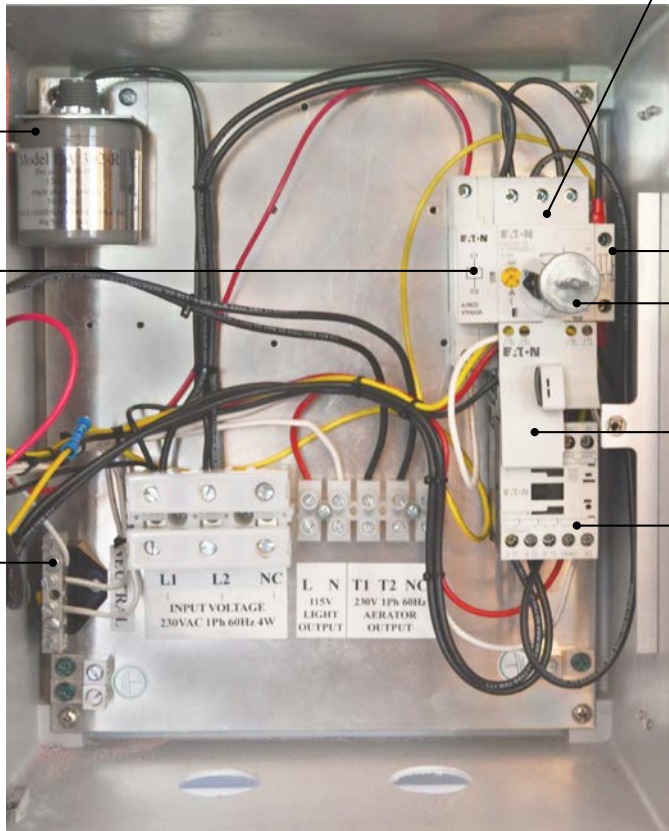
- PHASE MONITOR (NOT SHOWN)**
- 31-0334 (230V)
 - 31-0335 (460V)

1HP-5HP Panel Part Numbers with Pricing can be found on pages 43-47

Light Part Numbers with Pricing can be found on pages 50-51

PCC Design June 2011 - December 2019
 PCC's represented here are old style PCC's, Otterbine redesigned the 1HP-5HP PCC in 2020

HP1505 = 1Ph
 HP1506 = 3Ph



31-0247

31-0246

31-020X

- X = 1 = 3HP 460V 3Ph
- 2 = 1HP 230V 1Ph
- 3HP 230V 3Ph
- 5HP 460V 3Ph
- 4 = 1HP 115V 1Ph
- 2HP 230V 1Ph
- 3HP 230V 1Ph
- 5HP 230V 3Ph
- 6 = 5HP 230V 1Ph

31-0245

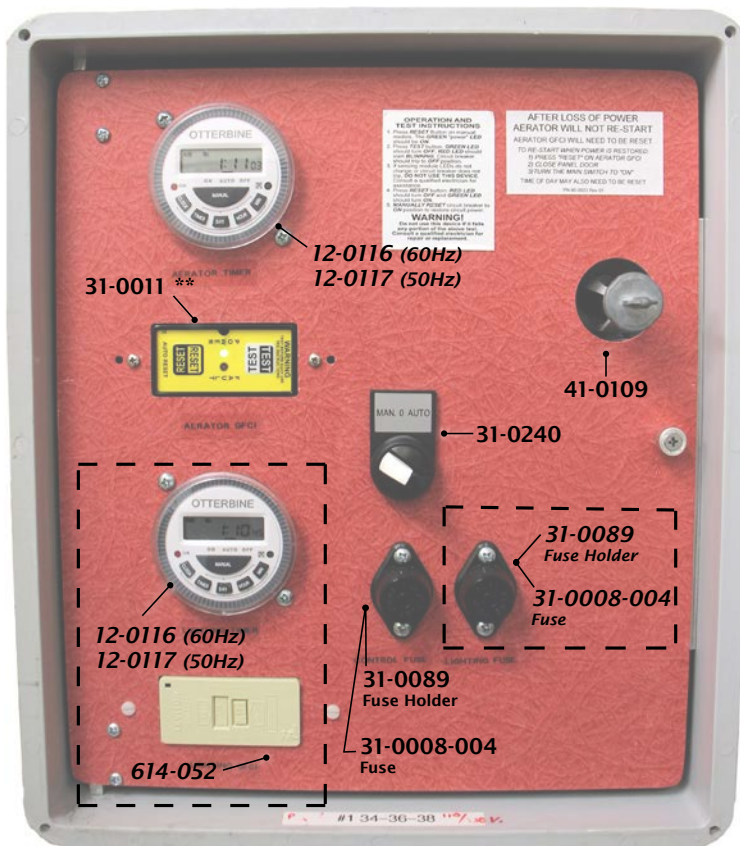
41-0109

31-0242

Exception: 5HP 1Ph = 31-0243

31-022X

- X = 0 = 3HP 460V 3Ph
- 1 = 1HP 230V 1Ph
- 5HP 460V 3Ph
- 2 = 3HP 230V 3Ph
- 3 = 1HP 115V 1Ph
- 2HP 230V 1Ph
- 3HP 230V 1Ph
- 5HP 230V 3Ph
- 4 = 5HP 230V 1Ph



31-0011 **

12-0116 (60Hz)
 12-0117 (50Hz)

41-0109

31-0240

31-0089
 Fuse Holder

31-0008-004
 Fuse

31-0089
 Fuse Holder

31-0008-004
 Fuse

12-0116 (60Hz)
 12-0117 (50Hz)

614-052

NOTES:
 Use for Reference Purposes Only
 Illustration is a 230V 1Ph with MR16 Light Controls

Part numbers shown are for 1HP-5HP units, 115V and 230V, both single and three phase in 60Hz.

MR16 Light Controls are italicized and inside the dashed boxes on illustration. Old style 30W, 60W, & 100W 15VDC power supplies are obsolete and should be replaced with p/n 31-0319 100W 110VAC 24VDC

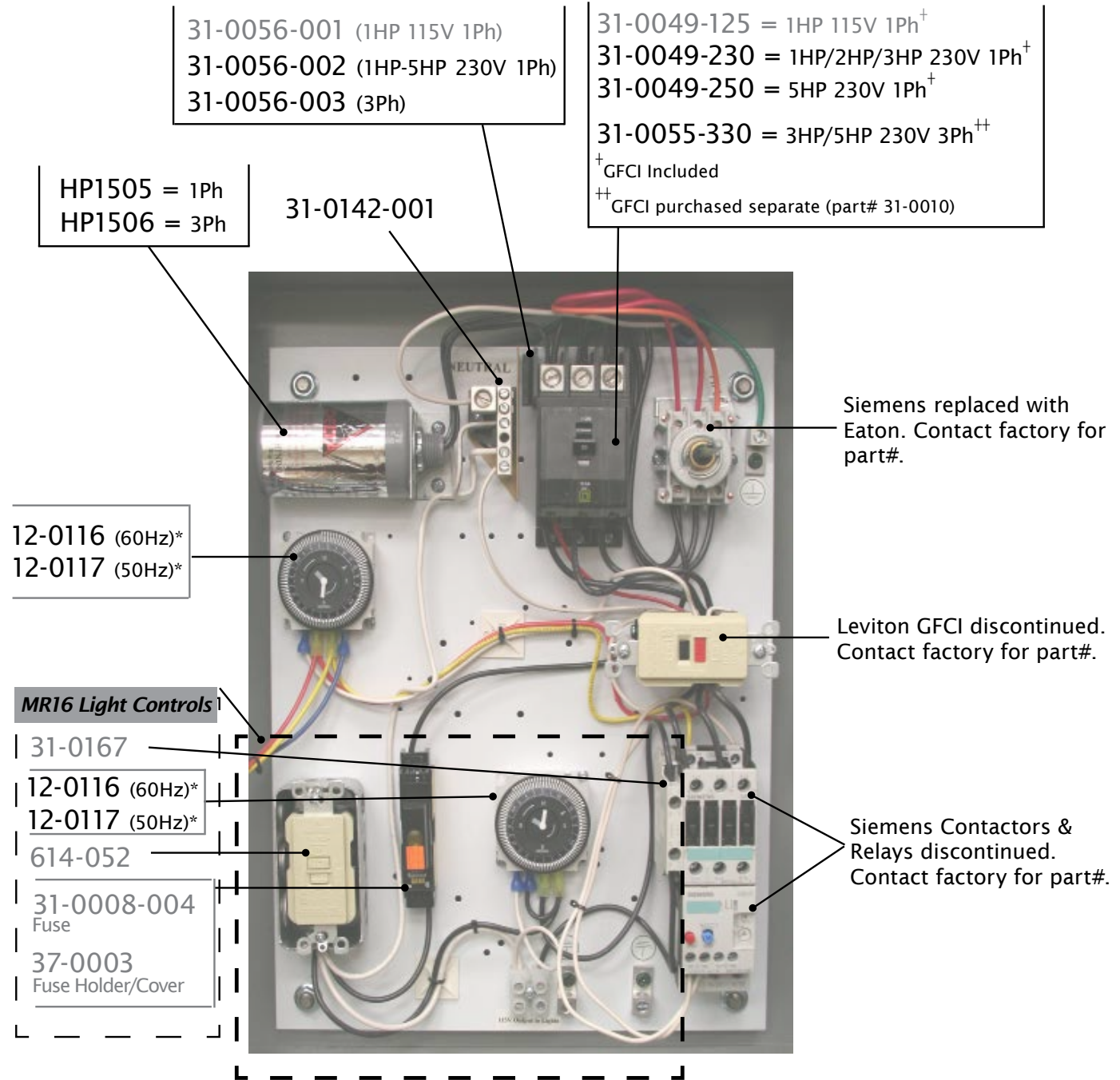
Additional Resources for Panels can be found on Otterbine's Distributor Dashboard.

Hubbell GFCI (part#31-0011)
 effective March 2014.

** If replacing the GFCI with panels prior to March 2014, use part# 12-0079 GFCI Retrofit Kit (includes Hubbell GFCI, Shunt and Wire Harness)

1HP-5HP Panel Part Numbers with Pricing can be found on pages 43-47

Light Part Numbers with Pricing can be found on pages 50-51



NOTES: Use for Reference Purposes Only (prior to June 2011)**
 Illustration is a 230V 3Ph Large Panel with MR16 Light Controls

Part numbers shown are for 1HP-5HP units, 115V and 230V, both single and three phase in 60Hz.

*Effective in 2015, mechanical timers replaced with 7-day digital timers.

**Parts vary in size and shape depending on voltage and phase. Mounting hardware is not called out in illustration.

Additional Resources for Panels can be found on Otterbine's Distributor Dashboard.

AIR FLO 2 PARTS (Discontinued product)

**AIR FLO 2 PARTS**

Discontinued product line, contact factory for exploded views.

PART NUMBER	DESCRIPTION
22-0028	BOLT HEX S/S 1/4-20x4 5
24-0025	SCREW PAN PH EXT WSH S/S M4x12
33-0043	CONNECTOR RING 16-14AWG #8STUD
33-0044	CONNECTOR RING 16-14AWG#10STUD
33-0045	CONNECTOR FEMALE 16-14AWG 1/4"
40-0075	SCREEN S/S BLOWER 5"x4" MACH
41-0128	BARRIER DIFF MANIFOLD AF MACH
41-0132	STANDOFF PVC 1 25"DIA MACH
46-0003	FILTER AIRFLO2 NAPA#FIL2093
46-0046	PLUG, AF2 DIFFUSER SAND BASE
46-0089	TAPE, HIGH BOND FOAM 2 SIDED
46-0130	CLAMP SELF-LOCKING PIPE 32dia
46-0143	KNOB 1/4-20" THREAD MC#2776K7
49-0040-023	SEAL 23" CUT TRIM RAW#49-0040
49-0040-038	SEAL 38" CUT TRIM RAW#49-0040
56-0003-002	VANES/GASKET KIT GAST #K479
65-0044	ADAPTOR PVC 3/4"NPTx1/2"BARB
65-0045	VALVE CHECK 3/4"FNPT #CV1
67-0023	CONNECTOR 90-3/8TUBINGX3/8NPT

RAW CABLE (by the Foot)

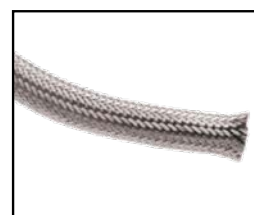
DOES NOT INCLUDE PIGTAIL/PLUG
Ordered in 25ft /7.5m increments.



PART NUMBER	DESCRIPTION
957-001	CABLE SOOW 12/3
957-009	CABLE SOOW 10/3
34-0002	CABLE POWER SOOW 8/3
34-0004	CABLE POWER SOW 6/3
957-002	CABLE SOW 12/4
957-010	CABLE SOOW 10/4
34-0003	CABLE POWER SOW 8/4
34-0005	CABLE POWER SOW 6/4
34-0007	CABLE POWER SOW 4/4
GP3999	CABLE POWER SJOOW 12/3 (FRAC&2PIN LIGHTS)
34-0011	CABLE POWER SJOOW 16/2R (2PIN LIGHTS/WNDCTRLS)
34-0019	CABLE POWER SOOW 12/5 (MAXI)
34-0021	CABLE POWER SOOW 10/5 (MAXI)

S/S SHIELDED CABLE (by the Foot)

DOES NOT INCLUDE PIGTAIL/PLUG
Ordered in 25ft /7.5m increments.



PART NUMBER	DESCRIPTION
34-0060-123SO	SHIELDED CABLE 123SO
34-0060-103SO	SHIELDED CABLE 103SO
34-0060-083SO	SHIELDED CABLE 083SO
34-0060-124SO	SHIELDED CABLE 124SO
34-0060-104SO	SHIELDED CABLE 104SO
34-0060-084SO	SHIELDED CABLE 084SO
34-0060-123SJ	SHIELDED CABLE 123SJ (1/2HP & LIGHTS)
34-0060-162SJ	SHIELDED CABLE 162SJ (LED & MIDI)
34-0060-125SO	SHIELDED CABLE 125SO

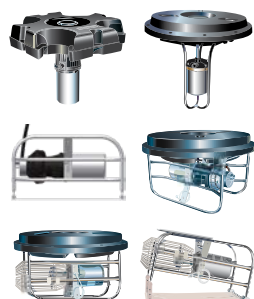
CABLE ASSEMBLIES

1HP-5HP SYSTEMS (Except 5HP 1Ph)

See page 60 for 5HP 1Ph Units/3PIN Assemblies | SINGLE PHASE (4PIN)



PART NUMBER	DESCRIPTION
08-0103-050	12/3 CABLE ASSY C3/C2 4PIN - 50FT
08-0103-075	12/3 CABLE ASSY C3/C2 4PIN - 75FT
08-0103-100	12/3 CABLE ASSY C3/C2 4PIN - 100FT
08-0103-125	12/3 CABLE ASSY C3/C2 4PIN - 125FT
08-0103-150	12/3 CABLE ASSY C3/C2 4PIN - 150FT
08-0103-175	12/3 CABLE ASSY C3/C2 4PIN - 175FT
08-0103-200	12/3 CABLE ASSY C3/C2 4PIN - 200FT
08-0103-225	12/3 CABLE ASSY C3/C2 4PIN - 225FT
08-0103-250	12/3 CABLE ASSY C3/C2 4PIN - 250FT
08-0103-275	12/3 CABLE ASSY C3/C2 4PIN - 275FT



CABLE ASSEMBLIES

CABLE ASSEMBLIES

1HP-5HP SYSTEMS (Except 5HP 1Ph)

See page 60 for 5HP 1Ph Units/3PIN Assemblies | SINGLE PHASE (4PIN)



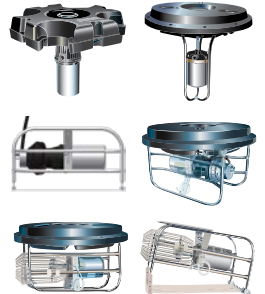
PART NUMBER	DESCRIPTION
08-0103-300	12/3 CABLE ASSY C3/C2 4PIN - 300FT
08-0103-325	12/3 CABLE ASSY C3/C2 4PIN - 325FT
08-0103-350	12/3 CABLE ASSY C3/C2 4PIN - 350FT
08-0103-375	12/3 CABLE ASSY C3/C2 4PIN - 375FT
08-0103-400	12/3 CABLE ASSY C3/C2 4PIN - 400FT
08-0103-425	12/3 CABLE ASSY C3/C2 4PIN - 425FT
08-0104-050	10/3 CABLE ASSY C3/C2 4PIN - 50FT
08-0104-075	10/3 CABLE ASSY C3/C2 4PIN - 75FT
08-0104-100	10/3 CABLE ASSY C3/C2 4PIN - 100FT
08-0104-125	10/3 CABLE ASSY C3/C2 4PIN - 125FT
08-0104-150	10/3 CABLE ASSY C3/C2 4PIN - 150FT
08-0104-175	10/3 CABLE ASSY C3/C2 4PIN - 175FT
08-0104-200	10/3 CABLE ASSY C3/C2 4PIN - 200FT
08-0104-225	10/3 CABLE ASSY C3/C2 4PIN - 225FT
08-0104-250	10/3 CABLE ASSY C3/C2 4PIN - 250FT
08-0104-275	10/3 CABLE ASSY C3/C2 4PIN - 275FT
08-0104-300	10/3 CABLE ASSY C3/C2 4PIN - 300FT
08-0104-325	10/3 CABLE ASSY C3/C2 4PIN - 325FT
08-0104-350	10/3 CABLE ASSY C3/C2 4PIN - 350FT
08-0104-375	10/3 CABLE ASSY C3/C2 4PIN - 375FT
08-0104-400	10/3 CABLE ASSY C3/C2 4PIN - 400FT
08-0104-425	10/3 CABLE ASSY C3/C2 4PIN - 425FT
08-0104-450	10/3 CABLE ASSY C3/C2 4PIN - 450FT
08-0104-475	10/3 CABLE ASSY C3/C2 4PIN - 475FT
08-0104-500	10/3 CABLE ASSY C3/C2 4PIN - 500FT
08-0104-525	10/3 CABLE ASSY C3/C2 4PIN - 525FT
08-0104-550	10/3 CABLE ASSY C3/C2 4PIN - 550FT
08-0104-575	10/3 CABLE ASSY C3/C2 4PIN - 575FT
08-0104-600	10/3 CABLE ASSY C3/C2 4PIN - 600FT
08-0104-625	10/3 CABLE ASSY C3/C2 4PIN - 625FT
08-0104-650	10/3 CABLE ASSY C3/C2 4PIN - 650FT
08-0104-675	10/3 CABLE ASSY C3/C2 4PIN - 675FT
08-0105-050	8/3 CABLE ASSY C3/C2 4PIN - 50FT
08-0105-075	8/3 CABLE ASSY C3/C2 4PIN - 75FT
08-0105-100	8/3 CABLE ASSY C3/C2 4PIN - 100FT
08-0105-125	8/3 CABLE ASSY C3/C2 4PIN - 125FT
08-0105-150	8/3 CABLE ASSY C3/C2 4PIN - 150FT
08-0105-175	8/3 CABLE ASSY C3/C2 4PIN - 175FT
08-0105-200	8/3 CABLE ASSY C3/C2 4PIN - 200FT
08-0105-225	8/3 CABLE ASSY C3/C2 4PIN - 225FT
08-0105-250	8/3 CABLE ASSY C3/C2 4PIN - 250FT

CABLE ASSEMBLIES

1HP-5HP SYSTEMS (Except 5HP 1Ph)

See page 60 for 5HP 1Ph Units/3PIN Assemblies | SINGLE PHASE (4PIN)

PART NUMBER	DESCRIPTION
08-0105-275	8/3 CABLE ASSY C3/C2 4PIN - 275FT
08-0105-300	8/3 CABLE ASSY C3/C2 4PIN - 300FT
08-0105-325	8/3 CABLE ASSY C3/C2 4PIN - 325FT
08-0105-350	8/3 CABLE ASSY C3/C2 4PIN - 350FT
08-0105-375	8/3 CABLE ASSY C3/C2 4PIN - 375FT
08-0105-400	8/3 CABLE ASSY C3/C2 4PIN - 400FT
08-0105-425	8/3 CABLE ASSY C3/C2 4PIN - 425FT
08-0105-450	8/3 CABLE ASSY C3/C2 4PIN - 450FT
08-0105-475	8/3 CABLE ASSY C3/C2 4PIN - 475FT
08-0105-500	8/3 CABLE ASSY C3/C2 4PIN - 500FT
08-0105-525	8/3 CABLE ASSY C3/C2 4PIN - 525FT
08-0105-550	8/3 CABLE ASSY C3/C2 4PIN - 550FT
08-0105-575	8/3 CABLE ASSY C3/C2 4PIN - 575FT
08-0105-600	8/3 CABLE ASSY C3/C2 4PIN - 600FT
08-0105-625	8/3 CABLE ASSY C3/C2 4PIN - 625FT
08-0105-650	8/3 CABLE ASSY C3/C2 4PIN - 650FT
08-0105-675	8/3 CABLE ASSY C3/C2 4PIN - 675FT
08-0105-700	8/3 CABLE ASSY C3/C2 4PIN - 700FT
08-0105-725	8/3 CABLE ASSY C3/C2 4PIN - 725FT
08-0105-750	8/3 CABLE ASSY C3/C2 4PIN - 750FT
08-0105-775	8/3 CABLE ASSY C3/C2 4PIN - 775FT
08-0105-800	8/3 CABLE ASSY C3/C2 4PIN - 800FT
08-0105-825	8/3 CABLE ASSY C3/C2 4PIN - 825FT
08-0105-850	8/3 CABLE ASSY C3/C2 4PIN - 850FT
08-0105-875	8/3 CABLE ASSY C3/C2 4PIN - 875FT
08-0105-900	8/3 CABLE ASSY C3/C2 4PIN - 900FT
08-0105-925	8/3 CABLE ASSY C3/C2 4PIN - 925FT
08-0105-950	8/3 CABLE ASSY C3/C2 4PIN - 950FT
08-0105-975	8/3 CABLE ASSY C3/C2 4PIN - 975FT
08-0105-1000	8/3 CABLE ASSY C3/C2 4PIN- 1000FT
08-0106-050	6/3 CABLE ASSY C3/C2 4PIN - 50FT
08-0106-075	6/3 CABLE ASSY C3/C2 4PIN - 75FT
08-0106-100	6/3 CABLE ASSY C3/C2 4PIN - 100FT
08-0106-125	6/3 CABLE ASSY C3/C2 4PIN - 125FT
08-0106-150	6/3 CABLE ASSY C3/C2 4PIN - 150FT
08-0106-175	6/3 CABLE ASSY C3/C2 4PIN - 175FT
08-0106-200	6/3 CABLE ASSY C3/C2 4PIN - 200FT
08-0106-225	6/3 CABLE ASSY C3/C2 4PIN - 225FT
08-0106-250	6/3 CABLE ASSY C3/C2 4PIN - 250FT
08-0106-275	6/3 CABLE ASSY C3/C2 4PIN - 275FT
08-0106-300	6/3 CABLE ASSY C3/C2 4PIN - 300FT



CABLE ASSEMBLIES

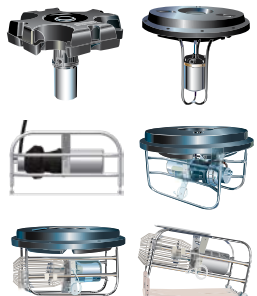


CABLE ASSEMBLIES

1HP-5HP SYSTEMS (Except 5HP 1Ph)

See page 60 for 5HP 1Ph Units/3PIN Assemblies | SINGLE PHASE (4PIN)

PART NUMBER	DESCRIPTION
08-0106-325	6/3 CABLE ASSY C3/C2 4PIN - 325FT
08-0106-350	6/3 CABLE ASSY C3/C2 4PIN - 350FT
08-0106-375	6/3 CABLE ASSY C3/C2 4PIN - 375FT
08-0106-400	6/3 CABLE ASSY C3/C2 4PIN - 400FT
08-0106-425	6/3 CABLE ASSY C3/C2 4PIN - 425FT
08-0106-450	6/3 CABLE ASSY C3/C2 4PIN - 450FT
08-0106-475	6/3 CABLE ASSY C3/C2 4PIN - 475FT
08-0106-500	6/3 CABLE ASSY C3/C2 4PIN - 500FT
08-0106-525	6/3 CABLE ASSY C3/C2 4PIN - 525FT
08-0106-550	6/3 CABLE ASSY C3/C2 4PIN - 550FT
08-0106-575	6/3 CABLE ASSY C3/C2 4PIN - 575FT
08-0106-600	6/3 CABLE ASSY C3/C2 4PIN - 600FT
08-0106-625	6/3 CABLE ASSY C3/C2 4PIN - 625FT
08-0106-650	6/3 CABLE ASSY C3/C2 4PIN - 650FT
08-0106-675	6/3 CABLE ASSY C3/C2 4PIN - 675FT
08-0106-700	6/3 CABLE ASSY C3/C2 4PIN - 700FT
08-0106-725	6/3 CABLE ASSY C3/C2 4PIN - 725FT
08-0106-750	6/3 CABLE ASSY C3/C2 4PIN - 750FT
08-0106-775	6/3 CABLE ASSY C3/C2 4PIN - 775FT
08-0106-800	6/3 CABLE ASSY C3/C2 4PIN - 800FT
08-0106-825	6/3 CABLE ASSY C3/C2 4PIN - 825FT
08-0106-850	6/3 CABLE ASSY C3/C2 4PIN - 850FT
08-0106-875	6/3 CABLE ASSY C3/C2 4PIN - 875FT
08-0106-900	6/3 CABLE ASSY C3/C2 4PIN - 900FT
08-0106-925	6/3 CABLE ASSY C3/C2 4PIN - 925FT



CABLE ASSEMBLIES

5HP 1Ph SYSTEMS

SINGLE PHASE (3PIN)

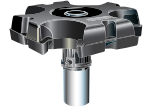


PART NUMBER	DESCRIPTION
08-0107-050	8/3 CABLE ASSY C3/C2 3PIN - 50FT
08-0107-075	8/3 CABLE ASSY C3/C2 3PIN - 75FT
08-0107-100	8/3 CABLE ASSY C3/C2 3PIN - 100FT
08-0107-125	8/3 CABLE ASSY C3/C2 3PIN - 125FT
08-0107-150	8/3 CABLE ASSY C3/C2 3PIN - 150FT
08-0107-175	8/3 CABLE ASSY C3/C2 3PIN - 175FT
08-0107-200	8/3 CABLE ASSY C3/C2 3PIN - 200FT
08-0107-225	8/3 CABLE ASSY C3/C2 3PIN - 225FT
08-0107-250	8/3 CABLE ASSY C3/C2 3PIN - 250FT
08-0107-275	8/3 CABLE ASSY C3/C2 3PIN - 275FT
08-0107-300	8/3 CABLE ASSY C3/C2 3PIN - 300FT
08-0108-050	6/3 CABLE ASSY C3/C2 3PIN - 50FT



CABLE ASSEMBLIES

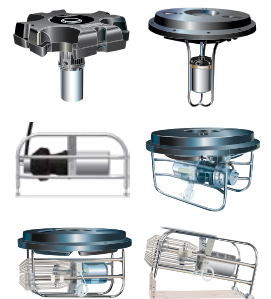
5HP 1Ph SYSTEMS
SINGLE PHASE (3PIN)



PART NUMBER	DESCRIPTION
08-0108-075	6/3 CABLE ASSY C3/C2 3PIN - 75FT
08-0108-100	6/3 CABLE ASSY C3/C2 3PIN - 100FT
08-0108-125	6/3 CABLE ASSY C3/C2 3PIN - 125FT
08-0108-150	6/3 CABLE ASSY C3/C2 3PIN - 150FT
08-0108-175	6/3 CABLE ASSY C3/C2 3PIN - 175FT
08-0108-200	6/3 CABLE ASSY C3/C2 3PIN - 200FT
08-0108-225	6/3 CABLE ASSY C3/C2 3PIN - 225FT
08-0108-250	6/3 CABLE ASSY C3/C2 3PIN - 250FT
08-0108-275	6/3 CABLE ASSY C3/C2 3PIN - 275FT
08-0108-300	6/3 CABLE ASSY C3/C2 3PIN - 300FT
08-0108-325	6/3 CABLE ASSY C3/C2 3PIN - 325FT
08-0108-350	6/3 CABLE ASSY C3/C2 3PIN - 350FT
08-0108-375	6/3 CABLE ASSY C3/C2 3PIN - 375FT
08-0108-400	6/3 CABLE ASSY C3/C2 3PIN - 400FT
08-0108-425	6/3 CABLE ASSY C3/C2 3PIN - 425FT
08-0108-450	6/3 CABLE ASSY C3/C2 3PIN - 450FT
08-0108-475	6/3 CABLE ASSY C3/C2 3PIN - 475FT
08-0108-500	6/3 CABLE ASSY C3/C2 3PIN - 500FT
08-0108-525	6/3 CABLE ASSY C3/C2 3PIN - 525FT
08-0108-550	6/3 CABLE ASSY C3/C2 3PIN - 550FT
08-0108-575	6/3 CABLE ASSY C3/C2 3PIN - 575FT
08-0108-600	6/3 CABLE ASSY C3/C2 3PIN - 600FT

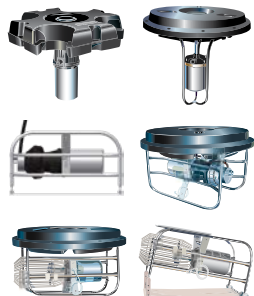
CABLE ASSEMBLIES

1HP-5HP SYSTEMS
THREE PHASE (4PIN)



PART NUMBER	DESCRIPTION
08-0100-050	12/4 CABLE ASSY C3/C2 4PIN - 50FT
08-0100-075	12/4 CABLE ASSY C3/C2 4PIN - 75FT
08-0100-100	12/4 CABLE ASSY C3/C2 4PIN - 100FT
08-0100-125	12/4 CABLE ASSY C3/C2 4PIN - 125FT
08-0100-150	12/4 CABLE ASSY C3/C2 4PIN - 150FT
08-0100-175	12/4 CABLE ASSY C3/C2 4PIN - 175FT
08-0100-200	12/4 CABLE ASSY C3/C2 4PIN - 200FT
08-0100-225	12/4 CABLE ASSY C3/C2 4PIN - 225FT
08-0100-250	12/4 CABLE ASSY C3/C2 4PIN - 250FT
08-0100-275	12/4 CABLE ASSY C3/C2 4PIN - 275FT
08-0100-300	12/4 CABLE ASSY C3/C2 4PIN - 300FT
08-0100-325	12/4 CABLE ASSY C3/C2 4PIN - 325FT
08-0100-350	12/4 CABLE ASSY C3/C2 4PIN - 350FT
08-0100-375	12/4 CABLE ASSY C3/C2 4PIN - 375FT

CABLE ASSEMBLIES



CABLE ASSEMBLIES

1HP-5HP SYSTEMS

THREE PHASE (4PIN)

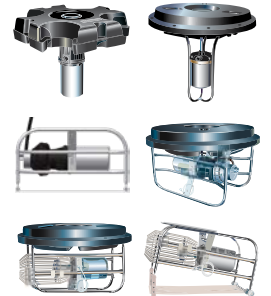
PART NUMBER	DESCRIPTION
08-0100-400	12/4 CABLE ASSY C3/C2 4PIN - 400FT
08-0100-425	12/4 CABLE ASSY C3/C2 4PIN - 425FT
08-0100-450	12/4 CABLE ASSY C3/C2 4PIN - 450FT
08-0100-475	12/4 CABLE ASSY C3/C2 4PIN - 475FT
08-0100-500	12/4 CABLE ASSY C3/C2 4PIN - 500FT
08-0100-525	12/4 CABLE ASSY C3/C2 4PIN - 525FT
08-0100-550	12/4 CABLE ASSY C3/C2 4PIN - 550FT
08-0100-575	12/4 CABLE ASSY C3/C2 4PIN - 575FT
08-0100-600	12/4 CABLE ASSY C3/C2 4PIN - 600FT
08-0100-625	12/4 CABLE ASSY C3/C2 4PIN - 625FT
08-0100-650	12/4 CABLE ASSY C3/C2 4PIN - 650FT
08-0100-675	12/4 CABLE ASSY C3/C2 4PIN - 675FT
08-0100-700	12/4 CABLE ASSY C3/C2 4PIN - 700FT
08-0100-725	12/4 CABLE ASSY C3/C2 4PIN - 725FT
08-0100-750	12/4 CABLE ASSY C3/C2 4PIN - 750FT
08-0100-775	12/4 CABLE ASSY C3/C2 4PIN - 775FT
08-0100-800	12/4 CABLE ASSY C3/C2 4PIN - 800FT
08-0100-825	12/4 CABLE ASSY C3/C2 4PIN - 825FT
08-0100-850	12/4 CABLE ASSY C3/C2 4PIN - 850FT
08-0100-875	12/4 CABLE ASSY C3/C2 4PIN - 875FT
08-0100-900	12/4 CABLE ASSY C3/C2 4PIN - 900FT
08-0100-925	12/4 CABLE ASSY C3/C2 4PIN - 925FT
08-0100-950	12/4 CABLE ASSY C3/C2 4PIN - 950FT
08-0100-975	12/4 CABLE ASSY C3/C2 4PIN - 975FT
08-0100-1000	12/4 CABLE ASSY C3/C2 4PIN - 1000FT
08-0101-050	10/4 CABLE ASSY C3/C2 4PIN - 50FT
08-0101-075	10/4 CABLE ASSY C3/C2 4PIN - 75FT
08-0101-100	10/4 CABLE ASSY C3/C2 4PIN - 100FT
08-0101-125	10/4 CABLE ASSY C3/C2 4PIN - 125FT
08-0101-150	10/4 CABLE ASSY C3/C2 4PIN - 150FT
08-0101-175	10/4 CABLE ASSY C3/C2 4PIN - 175FT
08-0101-200	10/4 CABLE ASSY C3/C2 4PIN - 200FT
08-0101-225	10/4 CABLE ASSY C3/C2 4PIN - 225FT
08-0101-250	10/4 CABLE ASSY C3/C2 4PIN - 250FT
08-0101-275	10/4 CABLE ASSY C3/C2 4PIN - 275FT
08-0101-300	10/4 CABLE ASSY C3/C2 4PIN - 300FT
08-0101-325	10/4 CABLE ASSY C3/C2 4PIN - 325FT
08-0101-350	10/4 CABLE ASSY C3/C2 4PIN - 350FT
08-0101-375	10/4 CABLE ASSY C3/C2 4PIN - 375FT
08-0101-400	10/4 CABLE ASSY C3/C2 4PIN - 400FT
08-0101-425	10/4 CABLE ASSY C3/C2 4PIN - 425FT

CABLE ASSEMBLIES

1HP-5HP SYSTEMS
THREE PHASE (4PIN)



PART NUMBER	DESCRIPTION
08-0101-450	10/4 CABLE ASSY C3/C2 4PIN - 450FT
08-0101-475	10/4 CABLE ASSY C3/C2 4PIN - 475FT
08-0101-500	10/4 CABLE ASSY C3/C2 4PIN - 500FT
08-0101-525	10/4 CABLE ASSY C3/C2 4PIN - 525FT
08-0101-550	10/4 CABLE ASSY C3/C2 4PIN - 550FT
08-0101-575	10/4 CABLE ASSY C3/C2 4PIN - 575FT
08-0101-600	10/4 CABLE ASSY C3/C2 4PIN - 600FT
08-0101-625	10/4 CABLE ASSY C3/C2 4PIN - 625FT
08-0101-650	10/4 CABLE ASSY C3/C2 4PIN - 650FT
08-0101-675	10/4 CABLE ASSY C3/C2 4PIN - 675FT
08-0101-700	10/4 CABLE ASSY C3/C2 4PIN - 700FT
08-0101-725	10/4 CABLE ASSY C3/C2 4PIN - 725FT
08-0101-750	10/4 CABLE ASSY C3/C2 4PIN - 750FT
08-0101-775	10/4 CABLE ASSY C3/C2 4PIN - 775FT
08-0101-800	10/4 CABLE ASSY C3/C2 4PIN - 800FT
08-0101-825	10/4 CABLE ASSY C3/C2 4PIN - 825FT
08-0101-850	10/4 CABLE ASSY C3/C2 4PIN - 850FT
08-0101-875	10/4 CABLE ASSY C3/C2 4PIN - 875FT
08-0101-900	10/4 CABLE ASSY C3/C2 4PIN - 900FT
08-0101-925	10/4 CABLE ASSY C3/C2 4PIN - 925FT
08-0101-950	10/4 CABLE ASSY C3/C2 4PIN - 950FT
08-0101-975	10/4 CABLE ASSY C3/C2 4PIN - 975FT
08-0101-1000	10/4 CABLE ASSY C3/C2 4PIN- 1000FT
08-0102-050	8/4 CABLE ASSY C3/C2 4PIN - 50FT
08-0102-075	8/4 CABLE ASSY C3/C2 4PIN - 75FT
08-0102-100	8/4 CABLE ASSY C3/C2 4PIN - 100FT
08-0102-125	8/4 CABLE ASSY C3/C2 4PIN - 125FT
08-0102-150	8/4 CABLE ASSY C3/C2 4PIN - 150FT
08-0102-175	8/4 CABLE ASSY C3/C2 4PIN - 175FT
08-0102-200	8/4 CABLE ASSY C3/C2 4PIN - 200FT
08-0102-225	8/4 CABLE ASSY C3/C2 4PIN - 225FT
08-0102-250	8/4 CABLE ASSY C3/C2 4PIN - 250FT
08-0102-275	8/4 CABLE ASSY C3/C2 4PIN - 275FT
08-0102-300	8/4 CABLE ASSY C3/C2 4PIN - 300FT
08-0102-325	8/4 CABLE ASSY C3/C2 4PIN - 325FT
08-0102-350	8/4 CABLE ASSY C3/C2 4PIN - 350FT
08-0102-375	8/4 CABLE ASSY C3/C2 4PIN - 375FT
08-0102-400	8/4 CABLE ASSY C3/C2 4PIN - 400FT
08-0102-425	8/4 CABLE ASSY C3/C2 4PIN - 425FT
08-0102-450	8/4 CABLE ASSY C3/C2 4PIN - 450FT
08-0102-475	8/4 CABLE ASSY C3/C2 4PIN - 475FT



CABLE ASSEMBLIES



CABLE ASSEMBLIES

1HP-5HP SYSTEMS
THREE PHASE (4PIN)

PART NUMBER	DESCRIPTION
08-0102-500	8/4 CABLE ASSY C3/C2 4PIN - 500FT
08-0102-525	8/4 CABLE ASSY C3/C2 4PIN - 525FT
08-0102-550	8/4 CABLE ASSY C3/C2 4PIN - 550FT
08-0102-575	8/4 CABLE ASSY C3/C2 4PIN - 575FT
08-0102-600	8/4 CABLE ASSY C3/C2 4PIN - 600FT
08-0102-625	8/4 CABLE ASSY C3/C2 4PIN - 625FT
08-0102-650	8/4 CABLE ASSY C3/C2 4PIN - 650FT
08-0102-675	8/4 CABLE ASSY C3/C2 4PIN - 675FT
08-0102-700	8/4 CABLE ASSY C3/C2 4PIN - 700FT
08-0102-725	8/4 CABLE ASSY C3/C2 4PIN - 725FT
08-0102-750	8/4 CABLE ASSY C3/C2 4PIN - 750FT
08-0102-775	8/4 CABLE ASSY C3/C2 4PIN - 775FT
08-0102-800	8/4 CABLE ASSY C3/C2 4PIN - 800FT
08-0102-825	8/4 CABLE ASSY C3/C2 4PIN - 825FT
08-0102-850	8/4 CABLE ASSY C3/C2 4PIN - 850FT
08-0102-875	8/4 CABLE ASSY C3/C2 4PIN - 875FT
08-0102-900	8/4 CABLE ASSY C3/C2 4PIN - 900FT
08-0102-925	8/4 CABLE ASSY C3/C2 4PIN - 925FT
08-0102-950	8/4 CABLE ASSY C3/C2 4PIN - 950FT
08-0102-975	8/4 CABLE ASSY C3/C2 4PIN - 975FT
08-0102-1000	8/4 CABLE ASSY C3/C2 4PIN- 1000FT



CABLE ASSEMBLIES

1/2HP SYSTEMS
SINGLE PHASE (3PIN)

PART NUMBER	DESCRIPTION
08-0114-050	12/3 CABLE ASSY Fractional - 50FT
08-0114-075	12/3 CABLE ASSY Fractional - 75FT
08-0114-100	12/3 CABLE ASSY Fractional - 100FT
08-0114-125	12/3 CABLE ASSY Fractional - 125FT
08-0114-150	12/3 CABLE ASSY Fractional - 150FT
08-0114-175	12/3 CABLE ASSY Fractional - 175FT
08-0114-200	12/3 CABLE ASSY Fractional - 200FT
08-0114-225	12/3 CABLE ASSY Fractional - 225FT
08-0114-250	12/3 CABLE ASSY Fractional - 250FT
08-0114-275	12/3 CABLE ASSY Fractional - 275FT
08-0114-300	12/3 CABLE ASSY Fractional - 300FT
08-0114-325	12/3 CABLE ASSY Fractional - 325FT
08-0114-350	12/3 CABLE ASSY Fractional - 350FT
08-0114-375	12/3 CABLE ASSY Fractional - 375FT
08-0114-400	12/3 CABLE ASSY Fractional - 400FT



CABLE ASSEMBLIES

1/2HP SYSTEMS
SINGLE PHASE (3PIN)

PART NUMBER	DESCRIPTION
08-0114-425	12/3 CABLE ASSY Fractional - 425FT
08-0114-450	12/3 CABLE ASSY Fractional - 450FT
08-0114-475	12/3 CABLE ASSY Fractional - 475FT
08-0114-500	12/3 CABLE ASSY Fractional - 500FT
08-0114-525	12/3 CABLE ASSY Fractional - 525FT
08-0114-550	12/3 CABLE ASSY Fractional - 550FT
08-0114-575	12/3 CABLE ASSY Fractional - 575FT
08-0114-600	12/3 CABLE ASSY Fractional - 600FT



CABLE ASSEMBLIES

10HP - 15HP 460V SYSTEMS

See Page 66 for Other Giant Fountain Cable Assemblies

PART NUMBER	DESCRIPTION
08-0109-050	10/4 CABLE ASSY GF 10HP460V QD - 50FT
08-0109-075	10/4 CABLE ASSY GF 10HP460V QD - 75FT
08-0109-100	10/4 CABLE ASSY GF 10HP460V QD - 100FT
08-0109-125	10/4 CABLE ASSY GF 10HP460V QD - 125FT
08-0109-150	10/4 CABLE ASSY GF 10HP460V QD - 150FT
08-0109-175	10/4 CABLE ASSY GF 10HP460V QD - 175FT
08-0109-200	10/4 CABLE ASSY GF 10HP460V QD - 200FT
08-0109-225	10/4 CABLE ASSY GF 10HP460V QD - 225FT
08-0109-250	10/4 CABLE ASSY GF 10HP460V QD - 250FT
08-0109-275	10/4 CABLE ASSY GF 10HP460V QD - 275FT
08-0109-300	10/4 CABLE ASSY GF 10HP460V QD - 300FT
08-0109-325	10/4 CABLE ASSY GF 10HP460V QD - 325FT
08-0109-350	10/4 CABLE ASSY GF 10HP460V QD - 350FT
08-0109-375	10/4 CABLE ASSY GF 10HP460V QD - 375FT
08-0109-400	10/4 CABLE ASSY GF 10HP460V QD - 400FT
08-0109-425	10/4 CABLE ASSY GF 10HP460V QD - 425FT
08-0109-450	10/4 CABLE ASSY GF 10HP460V QD - 450FT
08-0109-475	10/4 CABLE ASSY GF 10HP460V QD - 475FT
08-0109-500	10/4 CABLE ASSY GF 10HP460V QD - 500FT
08-0109-525	10/4 CABLE ASSY GF 10HP460V QD - 525FT
08-0109-550	10/4 CABLE ASSY GF 10HP460V QD - 550FT
08-0109-575	10/4 CABLE ASSY GF 10HP460V QD - 575FT
08-0109-600	10/4 CABLE ASSY GF 10HP460V QD - 600FT
08-0109-625	10/4 CABLE ASSY GF 10HP460V QD - 625FT
08-0109-650	10/4 CABLE ASSY GF 10HP460V QD - 650FT
08-0109-675	10/4 CABLE ASSY GF 10HP460V QD - 675FT
08-0109-700	10/4 CABLE ASSY GF 10HP460V QD - 700FT
08-0109-725	10/4 CABLE ASSY GF 10HP460V QD - 725FT



CABLE ASSEMBLIES



CABLE ASSEMBLIES

10HP - 15HP 460V SYSTEMS

See Page 67 for Other Giant Fountain Cable Assemblies

PART NUMBER	DESCRIPTION
08-0109-750	10/4 CABLE ASSY GF 10HP460V QD - 750FT
08-0109-775	10/4 CABLE ASSY GF 10HP460V QD - 775FT
08-0109-800	10/4 CABLE ASSY GF 10HP460V QD - 800FT
08-0109-825	10/4 CABLE ASSY GF 10HP460V QD - 825FT
08-0109-850	10/4 CABLE ASSY GF 10HP460V QD - 850FT
08-0109-875	10/4 CABLE ASSY GF 10HP460V QD - 875FT
08-0109-900	10/4 CABLE ASSY GF 10HP460V QD - 900FT
08-0109-925	10/4 CABLE ASSY GF 10HP460V QD - 925FT
08-0110-050	8/4 CABLE ASSY GF 10HP460V QD - 50FT
08-0110-075	8/4 CABLE ASSY GF 10HP460V QD - 75FT
08-0110-100	8/4 CABLE ASSY GF 10HP460V QD - 100FT
08-0110-125	8/4 CABLE ASSY GF 10HP460V QD - 125FT
08-0110-150	8/4 CABLE ASSY GF 10HP460V QD - 150FT
08-0110-175	8/4 CABLE ASSY GF 10HP460V QD - 175FT
08-0110-200	8/4 CABLE ASSY GF 10HP460V QD - 200FT
08-0110-225	8/4 CABLE ASSY GF 10HP460V QD - 225FT
08-0110-250	8/4 CABLE ASSY GF 10HP460V QD - 250FT
08-0110-275	8/4 CABLE ASSY GF 10HP460V QD - 275FT
08-0110-300	8/4 CABLE ASSY GF 10HP460V QD - 300FT
08-0110-325	8/4 CABLE ASSY GF 10HP460V QD - 325FT
08-0110-350	8/4 CABLE ASSY GF 10HP460V QD - 350FT
08-0110-375	8/4 CABLE ASSY GF 10HP460V QD - 375FT
08-0110-400	8/4 CABLE ASSY GF 10HP460V QD - 400FT
08-0110-425	8/4 CABLE ASSY GF 10HP460V QD - 425FT
08-0110-450	8/4 CABLE ASSY GF 10HP460V QD - 450FT
08-0110-475	8/4 CABLE ASSY GF 10HP460V QD - 475FT
08-0110-500	8/4 CABLE ASSY GF 10HP460V QD - 500FT
08-0110-525	8/4 CABLE ASSY GF 10HP460V QD - 525FT
08-0110-550	8/4 CABLE ASSY GF 10HP460V QD - 550FT
08-0110-575	8/4 CABLE ASSY GF 10HP460V QD - 575FT
08-0110-600	8/4 CABLE ASSY GF 10HP460V QD - 600FT
08-0110-625	8/4 CABLE ASSY GF 10HP460V QD - 625FT
08-0110-650	8/4 CABLE ASSY GF 10HP460V QD - 650FT
08-0110-675	8/4 CABLE ASSY GF 10HP460V QD - 675FT
08-0110-700	8/4 CABLE ASSY GF 10HP460V QD - 700FT
08-0110-725	8/4 CABLE ASSY GF 10HP460V QD - 725FT
08-0110-750	8/4 CABLE ASSY GF 10HP460V QD - 750FT
08-0110-775	8/4 CABLE ASSY GF 10HP460V QD - 775FT
08-0110-800	8/4 CABLE ASSY GF 10HP460V QD - 800FT
08-0110-825	8/4 CABLE ASSY GF 10HP460V QD - 825FT
08-0110-850	8/4 CABLE ASSY GF 10HP460V QD - 850FT

CABLE ASSEMBLIES

10HP - 15HP 460V SYSTEMS

See Page 67 for Other Giant Fountain Cable Assemblies

PART NUMBER	DESCRIPTION
08-0110-875	8/4 CABLE ASSY GF 10HP460V QD - 875FT
08-0110-900	8/4 CABLE ASSY GF 10HP460V QD - 900FT
08-0110-925	8/4 CABLE ASSY GF 10HP460V QD - 925FT
08-0119-050	10/4 CABLE ASSY GF 15HP460V QD - 50FT
08-0119-075	10/4 CABLE ASSY GF 15HP460V QD - 75FT
08-0119-100	10/4 CABLE ASSY GF 15HP460V QD - 100FT
08-0119-125	10/4 CABLE ASSY GF 15HP460V QD - 125FT
08-0119-150	10/4 CABLE ASSY GF 15HP460V QD - 150FT
08-0119-175	10/4 CABLE ASSY GF 15HP460V QD - 175FT
08-0119-200	10/4 CABLE ASSY GF 15HP460V QD - 200FT
08-0119-225	10/4 CABLE ASSY GF 15HP460V QD - 225FT
08-0119-250	10/4 CABLE ASSY GF 15HP460V QD - 250FT
08-0119-275	10/4 CABLE ASSY GF 15HP460V QD - 275FT
08-0119-300	10/4 CABLE ASSY GF 15HP460V QD - 300FT
08-0119-325	10/4 CABLE ASSY GF 15HP460V QD - 325FT
08-0119-350	10/4 CABLE ASSY GF 15HP460V QD - 350FT
08-0119-375	10/4 CABLE ASSY GF 15HP460V QD - 375FT
08-0119-400	10/4 CABLE ASSY GF 15HP460V QD - 400FT
08-0119-425	10/4 CABLE ASSY GF 15HP460V QD - 425FT
08-0119-450	10/4 CABLE ASSY GF 15HP460V QD - 450FT
08-0119-475	10/4 CABLE ASSY GF 15HP460V QD - 475FT



CABLE ASSEMBLIES

10HP - 25HP SYSTEMS

See Page 65 for 10HP 460V & 15HP 460V Cable Assemblies

PART NUMBER	DESCRIPTION
08-0111-050	8/4 CABLE ASSY GF QD - 50FT
08-0111-075	8/4 CABLE ASSY GF QD - 75FT
08-0111-100	8/4 CABLE ASSY GF QD - 100FT
08-0111-125	8/4 CABLE ASSY GF QD - 125FT
08-0111-150	8/4 CABLE ASSY GF QD - 150FT
08-0111-175	8/4 CABLE ASSY GF QD - 175FT
08-0111-200	8/4 CABLE ASSY GF QD - 200FT
08-0111-225	8/4 CABLE ASSY GF QD - 225FT
08-0111-250	8/4 CABLE ASSY GF QD - 250FT
08-0111-275	8/4 CABLE ASSY GF QD - 275FT
08-0111-300	8/4 CABLE ASSY GF QD - 300FT
08-0111-325	8/4 CABLE ASSY GF QD - 325FT
08-0111-350	8/4 CABLE ASSY GF QD - 350FT
08-0111-375	8/4 CABLE ASSY GF QD - 375FT
08-0111-400	8/4 CABLE ASSY GF QD - 400FT



CABLE ASSEMBLIES

CABLE ASSEMBLIES

10HP - 25HP SYSTEMS

See Page 65 for 10HP 460V & 15HP 460V Cable Assemblies



PART NUMBER	DESCRIPTION
08-0111-425	8/4 CABLE ASSY GF QD - 425FT
08-0111-450	8/4 CABLE ASSY GF QD - 450FT
08-0111-475	8/4 CABLE ASSY GF QD - 475FT
08-0111-500	8/4 CABLE ASSY GF QD - 500FT
08-0111-525	8/4 CABLE ASSY GF QD - 525FT
08-0111-550	8/4 CABLE ASSY GF QD - 550FT
08-0111-575	8/4 CABLE ASSY GF QD - 575FT
08-0111-600	8/4 CABLE ASSY GF QD - 600FT
08-0111-625	8/4 CABLE ASSY GF QD - 625FT
08-0111-650	8/4 CABLE ASSY GF QD - 650FT
08-0111-675	8/4 CABLE ASSY GF QD - 675FT
08-0111-700	8/4 CABLE ASSY GF QD - 700FT
08-0111-725	8/4 CABLE ASSY GF QD - 725FT
08-0111-750	8/4 CABLE ASSY GF QD - 750FT
08-0111-775	8/4 CABLE ASSY GF QD - 775FT
08-0111-800	8/4 CABLE ASSY GF QD - 800FT
08-0111-825	8/4 CABLE ASSY GF QD - 825FT
08-0111-850	8/4 CABLE ASSY GF QD - 850FT
08-0111-875	8/4 CABLE ASSY GF QD - 875FT
08-0111-900	8/4 CABLE ASSY GF QD - 900FT
08-0111-925	8/4 CABLE ASSY GF QD - 925FT
08-0112-050	6/4 CABLE ASSY GF QD - 50FT
08-0112-075	6/4 CABLE ASSY GF QD - 75FT
08-0112-100	6/4 CABLE ASSY GF QD - 100FT
08-0112-125	6/4 CABLE ASSY GF QD - 125FT
08-0112-150	6/4 CABLE ASSY GF QD - 150FT
08-0112-175	6/4 CABLE ASSY GF QD - 175FT
08-0112-200	6/4 CABLE ASSY GF QD - 200FT
08-0112-225	6/4 CABLE ASSY GF QD - 225FT
08-0112-250	6/4 CABLE ASSY GF QD - 250FT
08-0112-275	6/4 CABLE ASSY GF QD - 275FT
08-0112-300	6/4 CABLE ASSY GF QD - 300FT
08-0112-325	6/4 CABLE ASSY GF QD - 325FT
08-0112-350	6/4 CABLE ASSY GF QD - 350FT
08-0112-375	6/4 CABLE ASSY GF QD - 375FT
08-0112-400	6/4 CABLE ASSY GF QD - 400FT
08-0112-425	6/4 CABLE ASSY GF QD - 425FT
08-0112-450	6/4 CABLE ASSY GF QD - 450FT
08-0112-475	6/4 CABLE ASSY GF QD - 475FT
08-0112-500	6/4 CABLE ASSY GF QD - 500FT
08-0112-525	6/4 CABLE ASSY GF QD - 525FT

CABLE ASSEMBLIES

10HP - 25HP SYSTEMS

See Page 65 for 10HP 460V & 15HP 460V Cable Assemblies



PART NUMBER	DESCRIPTION
08-0112-550	6/4 CABLE ASSY GF QD - 550FT
08-0112-575	6/4 CABLE ASSY GF QD - 575FT
08-0112-600	6/4 CABLE ASSY GF QD - 600FT
08-0112-625	6/4 CABLE ASSY GF QD - 625FT
08-0112-650	6/4 CABLE ASSY GF QD - 650FT
08-0112-675	6/4 CABLE ASSY GF QD - 675FT
08-0112-700	6/4 CABLE ASSY GF QD - 700FT
08-0112-725	6/4 CABLE ASSY GF QD - 725FT
08-0112-750	6/4 CABLE ASSY GF QD - 750FT
08-0112-775	6/4 CABLE ASSY GF QD - 775FT
08-0112-800	6/4 CABLE ASSY GF QD - 800FT
08-0112-825	6/4 CABLE ASSY GF QD - 825FT
08-0112-850	6/4 CABLE ASSY GF QD - 850FT
08-0112-875	6/4 CABLE ASSY GF QD - 875FT
08-0112-900	6/4 CABLE ASSY GF QD - 900FT
08-0112-925	6/4 CABLE ASSY GF QD - 925FT
08-0113-050	4/4 CABLE ASSY GF QD - 50FT
08-0113-075	4/4 CABLE ASSY GF QD - 75FT
08-0113-100	4/4 CABLE ASSY GF QD - 100FT
08-0113-125	4/4 CABLE ASSY GF QD - 125FT
08-0113-150	4/4 CABLE ASSY GF QD - 150FT
08-0113-175	4/4 CABLE ASSY GF QD - 175FT
08-0113-200	4/4 CABLE ASSY GF QD - 200FT
08-0113-225	4/4 CABLE ASSY GF QD - 225FT
08-0113-250	4/4 CABLE ASSY GF QD - 250FT
08-0113-275	4/4 CABLE ASSY GF QD - 275FT
08-0113-300	4/4 CABLE ASSY GF QD - 300FT
08-0113-325	4/4 CABLE ASSY GF QD - 325FT
08-0113-350	4/4 CABLE ASSY GF QD - 350FT
08-0113-375	4/4 CABLE ASSY GF QD - 375FT
08-0113-400	4/4 CABLE ASSY GF QD - 400FT
08-0113-425	4/4 CABLE ASSY GF QD - 425FT
08-0113-450	4/4 CABLE ASSY GF QD - 450FT
08-0113-475	4/4 CABLE ASSY GF QD - 475FT
08-0113-500	4/4 CABLE ASSY GF QD - 500FT
08-0113-525	4/4 CABLE ASSY GF QD - 525FT
08-0113-550	4/4 CABLE ASSY GF QD - 550FT
08-0113-575	4/4 CABLE ASSY GF QD - 575FT
08-0113-600	4/4 CABLE ASSY GF QD - 600FT
08-0113-625	4/4 CABLE ASSY GF QD - 625FT
08-0113-650	4/4 CABLE ASSY GF QD - 650FT

CABLE ASSEMBLIES

CABLE ASSEMBLIES

10HP - 25HP SYSTEMS

See Page 65 for 10HP 460V & 15HP 460V Cable Assemblies



PART NUMBER	DESCRIPTION
08-0113-675	4/4 CABLE ASSY GF QD - 675FT
08-0113-700	4/4 CABLE ASSY GF QD - 700FT
08-0113-725	4/4 CABLE ASSY GF QD - 725FT
08-0113-750	4/4 CABLE ASSY GF QD - 750FT
08-0113-775	4/4 CABLE ASSY GF QD - 775FT
08-0113-800	4/4 CABLE ASSY GF QD - 800FT
08-0113-825	4/4 CABLE ASSY GF QD - 825FT
08-0113-850	4/4 CABLE ASSY GF QD - 850FT
08-0113-875	4/4 CABLE ASSY GF QD - 875FT
08-0113-900	4/4 CABLE ASSY GF QD - 900FT
08-0113-925	4/4 CABLE ASSY GF QD - 925FT

CABLE ASSEMBLIES

FOUNTAIN GLO™ LIGHT SYSTEMS

LED, MINI-RGBW, MIDI-RGBW (2 PIN)



PART NUMBER	DESCRIPTION
08-0117-050	16/2 CABLE ASSY Lights 2PIN - 50FT
08-0117-075	16/2 CABLE ASSY Lights 2PIN - 75FT
08-0117-100	16/2 CABLE ASSY Lights 2PIN - 100FT
08-0117-125	16/2 CABLE ASSY Lights 2PIN - 125FT
08-0117-150	16/2 CABLE ASSY Lights 2PIN - 150FT
08-0117-175	16/2 CABLE ASSY Lights 2PIN - 175FT
08-0117-200	16/2 CABLE ASSY Lights 2PIN - 200FT
08-0117-225	16/2 CABLE ASSY Lights 2PIN - 225FT
08-0117-250	16/2 CABLE ASSY Lights 2PIN - 250FT
08-0117-275	16/2 CABLE ASSY Lights 2PIN - 275FT
08-0117-300	16/2 CABLE ASSY Lights 2PIN - 300FT
08-0117-325	16/2 CABLE ASSY Lights 2PIN - 325FT
08-0117-350	16/2 CABLE ASSY Lights 2PIN - 350FT
08-0117-375	16/2 CABLE ASSY Lights 2PIN - 375FT
08-0117-400	16/2 CABLE ASSY Lights 2PIN - 400FT
08-0117-425	16/2 CABLE ASSY Lights 2PIN - 425FT
08-0117-450	16/2 CABLE ASSY Lights 2PIN - 450FT
08-0117-475	16/2 CABLE ASSY Lights 2PIN - 475FT
08-0117-500	16/2 CABLE ASSY Lights 2PIN - 500FT
08-0117-525	16/2 CABLE ASSY Lights 2PIN - 525FT
08-0117-550	16/2 CABLE ASSY Lights 2PIN - 550FT
08-0117-575	16/2 CABLE ASSY Lights 2PIN - 575FT
08-0117-600	16/2 CABLE ASSY Lights 2PIN - 600FT
08-0117-625	16/2 CABLE ASSY Lights 2PIN - 625FT

CABLE ASSEMBLIES

FOUNTAIN GLO™ LIGHT SYSTEMS
LED, MINI-RGBW, MIDI-RGBW (2 PIN)



PART NUMBER	DESCRIPTION
08-0117-650	16/2 CABLE ASSY Lights 2PIN - 650FT
08-0118-050	12/3 CABLE ASSY Lights 2PIN - 50FT
08-0118-075	12/3 CABLE ASSY Lights 2PIN - 75FT
08-0118-100	12/3 CABLE ASSY Lights 2PIN - 100FT
08-0118-125	12/3 CABLE ASSY Lights 2PIN - 125FT
08-0118-150	12/3 CABLE ASSY Lights 2PIN - 150FT
08-0118-175	12/3 CABLE ASSY Lights 2PIN - 175FT
08-0118-200	12/3 CABLE ASSY Lights 2PIN - 200FT
08-0118-225	12/3 CABLE ASSY Lights 2PIN - 225FT
08-0118-250	12/3 CABLE ASSY Lights 2PIN - 250FT
08-0118-275	12/3 CABLE ASSY Lights 2PIN - 275FT
08-0118-300	12/3 CABLE ASSY Lights 2PIN - 300FT
08-0118-325	12/3 CABLE ASSY Lights 2PIN - 325FT
08-0118-350	12/3 CABLE ASSY Lights 2PIN - 350FT
08-0118-375	12/3 CABLE ASSY Lights 2PIN - 375FT
08-0118-400	12/3 CABLE ASSY Lights 2PIN - 400FT
08-0118-425	12/3 CABLE ASSY Lights 2PIN - 425FT
08-0118-450	12/3 CABLE ASSY Lights 2PIN - 450FT
08-0118-475	12/3 CABLE ASSY Lights 2PIN - 475FT
08-0118-500	12/3 CABLE ASSY Lights 2PIN - 500FT
08-0118-525	12/3 CABLE ASSY Lights 2PIN - 525FT
08-0118-550	12/3 CABLE ASSY Lights 2PIN - 550FT
08-0118-575	12/3 CABLE ASSY Lights 2PIN - 575FT
08-0118-600	12/3 CABLE ASSY Lights 2PIN - 600FT
08-0118-625	12/3 CABLE ASSY Lights 2PIN - 625FT
08-0118-650	12/3 CABLE ASSY Lights 2PIN - 650FT
08-0118-675	12/3 CABLE ASSY Lights 2PIN - 675FT
08-0118-700	12/3 CABLE ASSY Lights 2PIN - 700FT
08-0118-725	12/3 CABLE ASSY Lights 2PIN - 725FT
08-0118-750	12/3 CABLE ASSY Lights 2PIN - 750FT
08-0118-775	12/3 CABLE ASSY Lights 2PIN - 775FT
08-0118-800	12/3 CABLE ASSY Lights 2PIN - 800FT
08-0118-825	12/3 CABLE ASSY Lights 2PIN - 825FT
08-0118-850	12/3 CABLE ASSY Lights 2PIN - 850FT
08-0118-875	12/3 CABLE ASSY Lights 2PIN - 875FT
08-0118-900	12/3 CABLE ASSY Lights 2PIN - 900FT
08-0118-925	12/3 CABLE ASSY Lights 2PIN - 925FT
08-0118-950	12/3 CABLE ASSY Lights 2PIN - 950FT
08-0118-975	12/3 CABLE ASSY Lights 2PIN - 975FT
08-0118-1000	12/3 CABLE ASSY Lights 2PIN- 1000FT

CABLE ASSEMBLIES



CABLE ASSEMBLIES

FOUNTAIN GLO™ LIGHT SYSTEMS

MAXI-RGBW (5 PIN)

PART NUMBER	DESCRIPTION
08-0115-050	12/5 CABLE ASSY Maxi - 50FT
08-0115-075	12/5 CABLE ASSY Maxi - 75FT
08-0115-100	12/5 CABLE ASSY Maxi - 100FT
08-0115-125	12/5 CABLE ASSY Maxi - 125FT
08-0115-150	12/5 CABLE ASSY Maxi - 150FT
08-0115-175	12/5 CABLE ASSY Maxi - 175FT
08-0115-200	12/5 CABLE ASSY Maxi - 200FT
08-0115-225	12/5 CABLE ASSY Maxi - 225FT
08-0115-250	12/5 CABLE ASSY Maxi - 250FT
08-0115-275	12/5 CABLE ASSY Maxi - 275FT
08-0115-300	12/5 CABLE ASSY Maxi - 300FT
08-0115-325	12/5 CABLE ASSY Maxi - 325FT
08-0115-350	12/5 CABLE ASSY Maxi - 350FT
08-0115-375	12/5 CABLE ASSY Maxi - 375FT
08-0115-400	12/5 CABLE ASSY Maxi - 400FT
08-0115-425	12/5 CABLE ASSY Maxi - 425FT
08-0115-450	12/5 CABLE ASSY Maxi - 450FT
08-0115-475	12/5 CABLE ASSY Maxi - 475FT
08-0115-500	12/5 CABLE ASSY Maxi - 500FT
08-0115-525	12/5 CABLE ASSY Maxi - 525FT
08-0115-550	12/5 CABLE ASSY Maxi - 550FT
08-0115-575	12/5 CABLE ASSY Maxi - 575FT
08-0115-600	12/5 CABLE ASSY Maxi - 600FT
08-0116-050	10/5 CABLE ASSY Maxi - 50FT
08-0116-075	10/5 CABLE ASSY Maxi - 75FT
08-0116-100	10/5 CABLE ASSY Maxi - 100FT
08-0116-125	10/5 CABLE ASSY Maxi - 125FT
08-0116-150	10/5 CABLE ASSY Maxi - 150FT
08-0116-175	10/5 CABLE ASSY Maxi - 175FT
08-0116-200	10/5 CABLE ASSY Maxi - 200FT
08-0116-225	10/5 CABLE ASSY Maxi - 225FT
08-0116-250	10/5 CABLE ASSY Maxi - 250FT
08-0116-275	10/5 CABLE ASSY Maxi - 275FT
08-0116-300	10/5 CABLE ASSY Maxi - 300FT
08-0116-325	10/5 CABLE ASSY Maxi - 325FT
08-0116-350	10/5 CABLE ASSY Maxi - 350FT
08-0116-375	10/5 CABLE ASSY Maxi - 375FT
08-0116-400	10/5 CABLE ASSY Maxi - 400FT
08-0116-425	10/5 CABLE ASSY Maxi - 425FT
08-0116-450	10/5 CABLE ASSY Maxi - 450FT
08-0116-475	10/5 CABLE ASSY Maxi - 475FT

CABLE ASSEMBLIES

FOUNTAIN GLO™ LIGHT SYSTEMS

MAXI-RGBW (5 PIN)



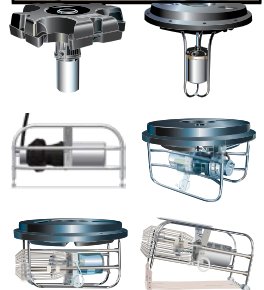
PART NUMBER	DESCRIPTION
08-0116-500	10/5 CABLE ASSY Maxi - 500FT
08-0116-525	10/5 CABLE ASSY Maxi - 525FT
08-0116-550	10/5 CABLE ASSY Maxi - 550FT
08-0116-575	10/5 CABLE ASSY Maxi - 575FT
08-0116-600	10/5 CABLE ASSY Maxi - 600FT
08-0116-625	10/5 CABLE ASSY Maxi - 625FT
08-0116-650	10/5 CABLE ASSY Maxi - 650FT
08-0116-675	10/5 CABLE ASSY Maxi - 675FT
08-0116-700	10/5 CABLE ASSY Maxi - 700FT
08-0116-725	10/5 CABLE ASSY Maxi - 725FT
08-0116-750	10/5 CABLE ASSY Maxi - 750FT
08-0116-775	10/5 CABLE ASSY Maxi - 775FT
08-0116-800	10/5 CABLE ASSY Maxi - 800FT
08-0116-825	10/5 CABLE ASSY Maxi - 825FT
08-0116-850	10/5 CABLE ASSY Maxi - 850FT
08-0116-875	10/5 CABLE ASSY Maxi - 875FT
08-0116-900	10/5 CABLE ASSY Maxi - 900FT
08-0116-925	10/5 CABLE ASSY Maxi - 925FT
08-0116-950	10/5 CABLE ASSY Maxi - 950FT
08-0116-975	10/5 CABLE ASSY Maxi - 975FT
08-0116-1000	10/5 CABLE ASSY Maxi - 1000FT

S/S SHIELDED CABLE ASSEMBLIES

1HP-5HP SYSTEMS (except 5HP 1Ph)

S/S Shielding not available for all gauges. See page 75 for 3PIN Assemblies for 5HP 1Ph Units | SINGLE PHASE (4PIN)

PART NUMBER	DESCRIPTION
08-0133-050	12/3 CABLE ASSY SHIELDED C3/C2 4PIN - 50FT
08-0133-075	12/3 CABLE ASSY SHIELDED C3/C2 4PIN - 75FT
08-0133-100	12/3 CABLE ASSY SHIELDED C3/C2 4PIN - 100FT
08-0133-125	12/3 CABLE ASSY SHIELDED C3/C2 4PIN - 125FT
08-0133-150	12/3 CABLE ASSY SHIELDED C3/C2 4PIN - 150FT
08-0133-175	12/3 CABLE ASSY SHIELDED C3/C2 4PIN - 175FT
08-0133-200	12/3 CABLE ASSY SHIELDED C3/C2 4PIN - 200FT
08-0133-225	12/3 CABLE ASSY SHIELDED C3/C2 4PIN - 225FT
08-0133-250	12/3 CABLE ASSY SHIELDED C3/C2 4PIN - 250FT
08-0133-275	12/3 CABLE ASSY SHIELDED C3/C2 4PIN - 275FT
08-0133-300	12/3 CABLE ASSY SHIELDED C3/C2 4PIN - 300FT
08-0133-325	12/3 CABLE ASSY SHIELDED C3/C2 4PIN - 325FT
08-0133-350	12/3 CABLE ASSY SHIELDED C3/C2 4PIN - 350FT
08-0133-375	12/3 CABLE ASSY SHIELDED C3/C2 4PIN - 375FT
08-0133-400	12/3 CABLE ASSY SHIELDED C3/C2 4PIN - 400FT



S/S SHIELDED CABLE ASSEMBLIES



S/S SHIELDED CABLE ASSEMBLIES

1HP-5HP SYSTEMS (except 5HP 1Ph)

S/S Shielding not available for all gauges. See page 75 for 3PIN Assemblies for 5HP 1Ph Units | SINGLE PHASE (4PIN)



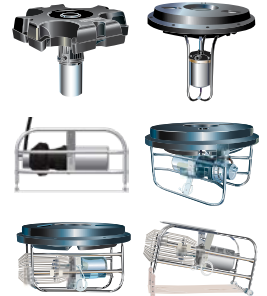
PART NUMBER	DESCRIPTION
08-0133-425	12/3 CABLE ASSY SHIELDED C3/C2 4PIN - 425FT
08-0134-050	10/3 CABLE ASSY SHIELDED C3/C2 4PIN - 50FT
08-0134-075	10/3 CABLE ASSY SHIELDED C3/C2 4PIN - 75FT
08-0134-100	10/3 CABLE ASSY SHIELDED C3/C2 4PIN - 100FT
08-0134-125	10/3 CABLE ASSY SHIELDED C3/C2 4PIN - 125FT
08-0134-150	10/3 CABLE ASSY SHIELDED C3/C2 4PIN - 150FT
08-0134-175	10/3 CABLE ASSY SHIELDED C3/C2 4PIN - 175FT
08-0134-200	10/3 CABLE ASSY SHIELDED C3/C2 4PIN - 200FT
08-0134-225	10/3 CABLE ASSY SHIELDED C3/C2 4PIN - 225FT
08-0134-250	10/3 CABLE ASSY SHIELDED C3/C2 4PIN - 250FT
08-0134-275	10/3 CABLE ASSY SHIELDED C3/C2 4PIN - 275FT
08-0134-300	10/3 CABLE ASSY SHIELDED C3/C2 4PIN - 300FT
08-0134-325	10/3 CABLE ASSY SHIELDED C3/C2 4PIN - 325FT
08-0134-350	10/3 CABLE ASSY SHIELDED C3/C2 4PIN - 350FT
08-0134-375	10/3 CABLE ASSY SHIELDED C3/C2 4PIN - 375FT
08-0134-400	10/3 CABLE ASSY SHIELDED C3/C2 4PIN - 400FT
08-0134-425	10/3 CABLE ASSY SHIELDED C3/C2 4PIN - 425FT
08-0134-450	10/3 CABLE ASSY SHIELDED C3/C2 4PIN - 450FT
08-0134-475	10/3 CABLE ASSY SHIELDED C3/C2 4PIN - 475FT
08-0134-500	10/3 CABLE ASSY SHIELDED C3/C2 4PIN - 500FT
08-0134-525	10/3 CABLE ASSY SHIELDED C3/C2 4PIN - 525FT
08-0134-550	10/3 CABLE ASSY SHIELDED C3/C2 4PIN - 550FT
08-0134-575	10/3 CABLE ASSY SHIELDED C3/C2 4PIN - 575FT
08-0134-600	10/3 CABLE ASSY SHIELDED C3/C2 4PIN - 600FT
08-0134-625	10/3 CABLE ASSY SHIELDED C3/C2 4PIN - 625FT
08-0134-650	10/3 CABLE ASSY SHIELDED C3/C2 4PIN - 650FT
08-0134-675	10/3 CABLE ASSY SHIELDED C3/C2 4PIN - 675FT
08-0135-050	8/3 CABLE ASSY SHIELDED C3/C2 4PIN - 50FT
08-0135-075	8/3 CABLE ASSY SHIELDED C3/C2 4PIN - 75FT
08-0135-100	8/3 CABLE ASSY SHIELDED C3/C2 4PIN - 100FT
08-0135-125	8/3 CABLE ASSY SHIELDED C3/C2 4PIN - 125FT
08-0135-150	8/3 CABLE ASSY SHIELDED C3/C2 4PIN - 150FT
08-0135-175	8/3 CABLE ASSY SHIELDED C3/C2 4PIN - 175FT
08-0135-200	8/3 CABLE ASSY SHIELDED C3/C2 4PIN - 200FT
08-0135-225	8/3 CABLE ASSY SHIELDED C3/C2 4PIN - 225FT
08-0135-250	8/3 CABLE ASSY SHIELDED C3/C2 4PIN - 250FT
08-0135-275	8/3 CABLE ASSY SHIELDED C3/C2 4PIN - 275FT
08-0135-300	8/3 CABLE ASSY SHIELDED C3/C2 4PIN - 300FT
08-0135-325	8/3 CABLE ASSY SHIELDED C3/C2 4PIN - 325FT
08-0135-350	8/3 CABLE ASSY SHIELDED C3/C2 4PIN - 350FT
08-0135-375	8/3 CABLE ASSY SHIELDED C3/C2 4PIN - 375FT

S/S SHIELDED CABLE ASSEMBLIES

1HP-5HP SYSTEMS (except 5HP 1Ph)

S/S Shielding not available for all gauges. See page 75 for 3PIN Assemblies for 5HP 1Ph Units | SINGLE PHASE (4PIN)

PART NUMBER	DESCRIPTION
08-0135-400	8/3 CABLE ASSY SHIELDED C3/C2 4PIN - 400FT
08-0135-425	8/3 CABLE ASSY SHIELDED C3/C2 4PIN - 425FT
08-0135-450	8/3 CABLE ASSY SHIELDED C3/C2 4PIN - 450FT
08-0135-475	8/3 CABLE ASSY SHIELDED C3/C2 4PIN - 475FT
08-0135-500	8/3 CABLE ASSY SHIELDED C3/C2 4PIN - 500FT
08-0135-525	8/3 CABLE ASSY SHIELDED C3/C2 4PIN - 525FT
08-0135-550	8/3 CABLE ASSY SHIELDED C3/C2 4PIN - 550FT
08-0135-575	8/3 CABLE ASSY SHIELDED C3/C2 4PIN - 575FT
08-0135-600	8/3 CABLE ASSY SHIELDED C3/C2 4PIN - 600FT
08-0135-625	8/3 CABLE ASSY SHIELDED C3/C2 4PIN - 625FT
08-0135-650	8/3 CABLE ASSY SHIELDED C3/C2 4PIN - 650FT
08-0135-675	8/3 CABLE ASSY SHIELDED C3/C2 4PIN - 675FT
08-0135-700	8/3 CABLE ASSY SHIELDED C3/C2 4PIN - 700FT
08-0135-725	8/3 CABLE ASSY SHIELDED C3/C2 4PIN - 725FT
08-0135-750	8/3 CABLE ASSY SHIELDED C3/C2 4PIN - 750FT
08-0135-775	8/3 CABLE ASSY SHIELDED C3/C2 4PIN - 775FT
08-0135-800	8/3 CABLE ASSY SHIELDED C3/C2 4PIN - 800FT
08-0135-825	8/3 CABLE ASSY SHIELDED C3/C2 4PIN - 825FT
08-0135-850	8/3 CABLE ASSY SHIELDED C3/C2 4PIN - 850FT
08-0135-875	8/3 CABLE ASSY SHIELDED C3/C2 4PIN - 875FT
08-0135-900	8/3 CABLE ASSY SHIELDED C3/C2 4PIN - 900FT
08-0135-925	8/3 CABLE ASSY SHIELDED C3/C2 4PIN - 925FT
08-0135-950	8/3 CABLE ASSY SHIELDED C3/C2 4PIN - 950FT
08-0135-975	8/3 CABLE ASSY SHIELDED C3/C2 4PIN - 975FT
08-0135-1000	8/3 CABLE ASSY SHIELDED C3/C2 4PIN- 1000FT



S/S SHIELDED CABLE ASSEMBLIES

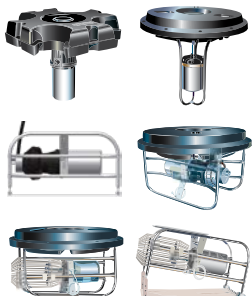
5HP 1Ph SYSTEMS

S/S Shielding not available for all gauges. | SINGLE PHASE (3PIN)

PART NUMBER	DESCRIPTION
08-0137-050	8/3 CABLE ASSY SHIELDED C3/C2 3PIN - 50FT
08-0137-075	8/3 CABLE ASSY SHIELDED C3/C2 3PIN - 75FT
08-0137-100	8/3 CABLE ASSY SHIELDED C3/C2 3PIN - 100FT
08-0137-125	8/3 CABLE ASSY SHIELDED C3/C2 3PIN - 125FT
08-0137-150	8/3 CABLE ASSY SHIELDED C3/C2 3PIN - 150FT
08-0137-175	8/3 CABLE ASSY SHIELDED C3/C2 3PIN - 175FT
08-0137-200	8/3 CABLE ASSY SHIELDED C3/C2 3PIN - 200FT
08-0137-225	8/3 CABLE ASSY SHIELDED C3/C2 3PIN - 225FT
08-0137-250	8/3 CABLE ASSY SHIELDED C3/C2 3PIN - 250FT
08-0137-275	8/3 CABLE ASSY SHIELDED C3/C2 3PIN - 275FT
08-0137-300	8/3 CABLE ASSY SHIELDED C3/C2 3PIN - 300FT



S/S SHIELDED CABLE ASSEMBLIES



S/S SHIELDED CABLE ASSEMBLIES

1HP-5HP SYSTEMS

S/S Shielding not available for all gauges. | THREE PHASE (4PIN)

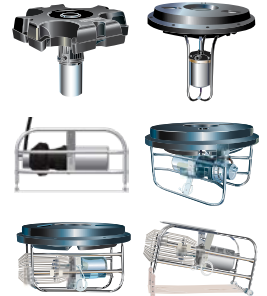
PART NUMBER	DESCRIPTION
08-0130-050	12/4 CABLE ASSY SHIELDED C3/C2 4PIN - 50FT
08-0130-075	12/4 CABLE ASSY SHIELDED C3/C2 4PIN - 75FT
08-0130-100	12/4 CABLE ASSY SHIELDED C3/C2 4PIN - 100FT
08-0130-125	12/4 CABLE ASSY SHIELDED C3/C2 4PIN - 125FT
08-0130-150	12/4 CABLE ASSY SHIELDED C3/C2 4PIN - 150FT
08-0130-175	12/4 CABLE ASSY SHIELDED C3/C2 4PIN - 175FT
08-0130-200	12/4 CABLE ASSY SHIELDED C3/C2 4PIN - 200FT
08-0130-225	12/4 CABLE ASSY SHIELDED C3/C2 4PIN - 225FT
08-0130-250	12/4 CABLE ASSY SHIELDED C3/C2 4PIN - 250FT
08-0130-275	12/4 CABLE ASSY SHIELDED C3/C2 4PIN - 275FT
08-0130-300	12/4 CABLE ASSY SHIELDED C3/C2 4PIN - 300FT
08-0130-325	12/4 CABLE ASSY SHIELDED C3/C2 4PIN - 325FT
08-0130-350	12/4 CABLE ASSY SHIELDED C3/C2 4PIN - 350FT
08-0130-375	12/4 CABLE ASSY SHIELDED C3/C2 4PIN - 375FT
08-0130-400	12/4 CABLE ASSY SHIELDED C3/C2 4PIN - 400FT
08-0130-425	12/4 CABLE ASSY SHIELDED C3/C2 4PIN - 425FT
08-0130-450	12/4 CABLE ASSY SHIELDED C3/C2 4PIN - 450FT
08-0130-475	12/4 CABLE ASSY SHIELDED C3/C2 4PIN - 475FT
08-0130-500	12/4 CABLE ASSY SHIELDED C3/C2 4PIN - 500FT
08-0130-525	12/4 CABLE ASSY SHIELDED C3/C2 4PIN - 525FT
08-0130-550	12/4 CABLE ASSY SHIELDED C3/C2 4PIN - 550FT
08-0130-575	12/4 CABLE ASSY SHIELDED C3/C2 4PIN - 575FT
08-0130-600	12/4 CABLE ASSY SHIELDED C3/C2 4PIN - 600FT
08-0130-625	12/4 CABLE ASSY SHIELDED C3/C2 4PIN - 625FT
08-0130-650	12/4 CABLE ASSY SHIELDED C3/C2 4PIN - 650FT
08-0130-675	12/4 CABLE ASSY SHIELDED C3/C2 4PIN - 675FT
08-0130-700	12/4 CABLE ASSY SHIELDED C3/C2 4PIN - 700FT
08-0130-725	12/4 CABLE ASSY SHIELDED C3/C2 4PIN - 725FT
08-0130-750	12/4 CABLE ASSY SHIELDED C3/C2 4PIN - 750FT
08-0130-775	12/4 CABLE ASSY SHIELDED C3/C2 4PIN - 775FT
08-0130-800	12/4 CABLE ASSY SHIELDED C3/C2 4PIN - 800FT
08-0130-825	12/4 CABLE ASSY SHIELDED C3/C2 4PIN - 825FT
08-0130-850	12/4 CABLE ASSY SHIELDED C3/C2 4PIN - 850FT
08-0130-875	12/4 CABLE ASSY SHIELDED C3/C2 4PIN - 875FT
08-0130-900	12/4 CABLE ASSY SHIELDED C3/C2 4PIN - 900FT
08-0130-925	12/4 CABLE ASSY SHIELDED C3/C2 4PIN - 925FT
08-0130-950	12/4 CABLE ASSY SHIELDED C3/C2 4PIN - 950FT
08-0130-975	12/4 CABLE ASSY SHIELDED C3/C2 4PIN - 975FT
08-0130-1000	12/4 CABLE ASSY SHIELDED C3/C2 4PIN- 1000FT
08-0131-050	10/4 CABLE ASSY SHIELDED C3/C2 4PIN - 50FT

S/S SHIELDED CABLE ASSEMBLIES

1HP-5HP SYSTEMS

S/S Shielding not available for all gauges. | THREE PHASE (4PIN)

PART NUMBER	DESCRIPTION
08-0131-075	10/4 CABLE ASSY SHIELDED C3/C2 4PIN - 75FT
08-0131-100	10/4 CABLE ASSY SHIELDED C3/C2 4PIN - 100FT
08-0131-125	10/4 CABLE ASSY SHIELDED C3/C2 4PIN - 125FT
08-0131-150	10/4 CABLE ASSY SHIELDED C3/C2 4PIN - 150FT
08-0131-175	10/4 CABLE ASSY SHIELDED C3/C2 4PIN - 175FT
08-0131-200	10/4 CABLE ASSY SHIELDED C3/C2 4PIN - 200FT
08-0131-225	10/4 CABLE ASSY SHIELDED C3/C2 4PIN - 225FT
08-0131-250	10/4 CABLE ASSY SHIELDED C3/C2 4PIN - 250FT
08-0131-275	10/4 CABLE ASSY SHIELDED C3/C2 4PIN - 275FT
08-0131-300	10/4 CABLE ASSY SHIELDED C3/C2 4PIN - 300FT
08-0131-325	10/4 CABLE ASSY SHIELDED C3/C2 4PIN - 325FT
08-0131-350	10/4 CABLE ASSY SHIELDED C3/C2 4PIN - 350FT
08-0131-375	10/4 CABLE ASSY SHIELDED C3/C2 4PIN - 375FT
08-0131-400	10/4 CABLE ASSY SHIELDED C3/C2 4PIN - 400FT
08-0131-425	10/4 CABLE ASSY SHIELDED C3/C2 4PIN - 425FT
08-0131-450	10/4 CABLE ASSY SHIELDED C3/C2 4PIN - 450FT
08-0131-475	10/4 CABLE ASSY SHIELDED C3/C2 4PIN - 475FT
08-0131-500	10/4 CABLE ASSY SHIELDED C3/C2 4PIN - 500FT
08-0131-525	10/4 CABLE ASSY SHIELDED C3/C2 4PIN - 525FT
08-0131-550	10/4 CABLE ASSY SHIELDED C3/C2 4PIN - 550FT
08-0131-575	10/4 CABLE ASSY SHIELDED C3/C2 4PIN - 575FT
08-0131-600	10/4 CABLE ASSY SHIELDED C3/C2 4PIN - 600FT
08-0131-625	10/4 CABLE ASSY SHIELDED C3/C2 4PIN - 625FT
08-0131-650	10/4 CABLE ASSY SHIELDED C3/C2 4PIN - 650FT
08-0131-675	10/4 CABLE ASSY SHIELDED C3/C2 4PIN - 675FT
08-0131-700	10/4 CABLE ASSY SHIELDED C3/C2 4PIN - 700FT
08-0131-725	10/4 CABLE ASSY SHIELDED C3/C2 4PIN - 725FT
08-0131-750	10/4 CABLE ASSY SHIELDED C3/C2 4PIN - 750FT
08-0131-775	10/4 CABLE ASSY SHIELDED C3/C2 4PIN - 775FT
08-0131-800	10/4 CABLE ASSY SHIELDED C3/C2 4PIN - 800FT
08-0131-825	10/4 CABLE ASSY SHIELDED C3/C2 4PIN - 825FT
08-0131-850	10/4 CABLE ASSY SHIELDED C3/C2 4PIN - 850FT
08-0131-875	10/4 CABLE ASSY SHIELDED C3/C2 4PIN - 875FT
08-0131-900	10/4 CABLE ASSY SHIELDED C3/C2 4PIN - 900FT
08-0131-925	10/4 CABLE ASSY SHIELDED C3/C2 4PIN - 925FT
08-0131-950	10/4 CABLE ASSY SHIELDED C3/C2 4PIN - 950FT
08-0131-975	10/4 CABLE ASSY SHIELDED C3/C2 4PIN - 975FT
08-0131-1000	10/4 CABLE ASSY SHIELDED C3/C2 4PIN- 1000FT



S/S SHIELDED CABLE ASSEMBLIES

S/S SHIELDED CABLE ASSEMBLIES

1/2 SYSTEMS
SINGLE PHASE (3PIN)



PART NUMBER	DESCRIPTION
08-0144-050	12/3 CABLE ASSY SHIELDED Fractional - 50FT
08-0144-075	12/3 CABLE ASSY SHIELDED Fractional - 75FT
08-0144-100	12/3 CABLE ASSY SHIELDED Fractional - 100FT
08-0144-125	12/3 CABLE ASSY SHIELDED Fractional - 125FT
08-0144-150	12/3 CABLE ASSY SHIELDED Fractional - 150FT
08-0144-175	12/3 CABLE ASSY SHIELDED Fractional - 175FT
08-0144-200	12/3 CABLE ASSY SHIELDED Fractional - 200FT
08-0144-225	12/3 CABLE ASSY SHIELDED Fractional - 225FT
08-0144-250	12/3 CABLE ASSY SHIELDED Fractional - 250FT
08-0144-275	12/3 CABLE ASSY SHIELDED Fractional - 275FT
08-0144-300	12/3 CABLE ASSY SHIELDED Fractional - 300FT
08-0144-325	12/3 CABLE ASSY SHIELDED Fractional - 325FT
08-0144-350	12/3 CABLE ASSY SHIELDED Fractional - 350FT
08-0144-375	12/3 CABLE ASSY SHIELDED Fractional - 375FT
08-0144-400	12/3 CABLE ASSY SHIELDED Fractional - 400FT
08-0144-425	12/3 CABLE ASSY SHIELDED Fractional - 425FT
08-0144-450	12/3 CABLE ASSY SHIELDED Fractional - 450FT
08-0144-475	12/3 CABLE ASSY SHIELDED Fractional - 475FT
08-0144-500	12/3 CABLE ASSY SHIELDED Fractional - 500FT
08-0144-525	12/3 CABLE ASSY SHIELDED Fractional - 525FT
08-0144-550	12/3 CABLE ASSY SHIELDED Fractional - 550FT
08-0144-575	12/3 CABLE ASSY SHIELDED Fractional - 575FT
08-0144-600	12/3 CABLE ASSY SHIELDED Fractional - 600FT

S/S SHIELDED CABLE ASSEMBLIES

FOUNTAIN GLO™ LIGHT SYSTEMS
LED, MINI-RGBW, MIDI-RGBW (2PIN)



PART NUMBER	DESCRIPTION
08-0147-050	16/2 CABLE ASSY SHIELDED Lights 2PIN - 50FT
08-0147-075	16/2 CABLE ASSY SHIELDED Lights 2PIN - 75FT
08-0147-100	16/2 CABLE ASSY SHIELDED Lights 2PIN - 100FT
08-0147-125	16/2 CABLE ASSY SHIELDED Lights 2PIN - 125FT
08-0147-150	16/2 CABLE ASSY SHIELDED Lights 2PIN - 150FT
08-0147-175	16/2 CABLE ASSY SHIELDED Lights 2PIN - 175FT
08-0147-200	16/2 CABLE ASSY SHIELDED Lights 2PIN - 200FT
08-0147-225	16/2 CABLE ASSY SHIELDED Lights 2PIN - 225FT
08-0147-250	16/2 CABLE ASSY SHIELDED Lights 2PIN - 250FT
08-0147-275	16/2 CABLE ASSY SHIELDED Lights 2PIN - 275FT
08-0147-300	16/2 CABLE ASSY SHIELDED Lights 2PIN - 300FT

S/S SHIELDED CABLE ASSEMBLIES

FOUNTAIN GLO™ LIGHT SYSTEMS
LED, MINI-RGBW, MIDI-RGBW (2PIN)



PART NUMBER	DESCRIPTION
08-0147-325	16/2 CABLE ASSY SHIELDED Lights 2PIN - 325FT
08-0147-350	16/2 CABLE ASSY SHIELDED Lights 2PIN - 350FT
08-0147-375	16/2 CABLE ASSY SHIELDED Lights 2PIN - 375FT
08-0147-400	16/2 CABLE ASSY SHIELDED Lights 2PIN - 400FT
08-0147-425	16/2 CABLE ASSY SHIELDED Lights 2PIN - 425FT
08-0147-450	16/2 CABLE ASSY SHIELDED Lights 2PIN - 450FT
08-0147-475	16/2 CABLE ASSY SHIELDED Lights 2PIN - 475FT
08-0147-500	16/2 CABLE ASSY SHIELDED Lights 2PIN - 500FT
08-0147-525	16/2 CABLE ASSY SHIELDED Lights 2PIN - 525FT
08-0147-550	16/2 CABLE ASSY SHIELDED Lights 2PIN - 550FT
08-0147-575	16/2 CABLE ASSY SHIELDED Lights 2PIN - 575FT
08-0147-600	16/2 CABLE ASSY SHIELDED Lights 2PIN - 600FT
08-0147-625	16/2 CABLE ASSY SHIELDED Lights 2PIN - 625FT
08-0147-650	16/2 CABLE ASSY SHIELDED Lights 2PIN - 650FT
08-0148-050	12/3 CABLE ASSY SHIELDED Lights 2PIN - 50FT
08-0148-075	12/3 CABLE ASSY SHIELDED Lights 2PIN - 75FT
08-0148-100	12/3 CABLE ASSY SHIELDED Lights 2PIN - 100FT
08-0148-125	12/3 CABLE ASSY SHIELDED Lights 2PIN - 125FT
08-0148-150	12/3 CABLE ASSY SHIELDED Lights 2PIN - 150FT
08-0148-175	12/3 CABLE ASSY SHIELDED Lights 2PIN - 175FT
08-0148-200	12/3 CABLE ASSY SHIELDED Lights 2PIN - 200FT
08-0148-225	12/3 CABLE ASSY SHIELDED Lights 2PIN - 225FT
08-0148-250	12/3 CABLE ASSY SHIELDED Lights 2PIN - 250FT
08-0148-275	12/3 CABLE ASSY SHIELDED Lights 2PIN - 275FT
08-0148-300	12/3 CABLE ASSY SHIELDED Lights 2PIN - 300FT
08-0148-325	12/3 CABLE ASSY SHIELDED Lights 2PIN - 325FT
08-0148-350	12/3 CABLE ASSY SHIELDED Lights 2PIN - 350FT
08-0148-375	12/3 CABLE ASSY SHIELDED Lights 2PIN - 375FT
08-0148-400	12/3 CABLE ASSY SHIELDED Lights 2PIN - 400FT
08-0148-425	12/3 CABLE ASSY SHIELDED Lights 2PIN - 425FT
08-0148-450	12/3 CABLE ASSY SHIELDED Lights 2PIN - 450FT
08-0148-475	12/3 CABLE ASSY SHIELDED Lights 2PIN - 475FT
08-0148-500	12/3 CABLE ASSY SHIELDED Lights 2PIN - 500FT
08-0148-525	12/3 CABLE ASSY SHIELDED Lights 2PIN - 525FT
08-0148-550	12/3 CABLE ASSY SHIELDED Lights 2PIN - 550FT
08-0148-575	12/3 CABLE ASSY SHIELDED Lights 2PIN - 575FT
08-0148-600	12/3 CABLE ASSY SHIELDED Lights 2PIN - 600FT
08-0148-625	12/3 CABLE ASSY SHIELDED Lights 2PIN - 625FT
08-0148-650	12/3 CABLE ASSY SHIELDED Lights 2PIN - 650FT
08-0148-675	12/3 CABLE ASSY SHIELDED Lights 2PIN - 675FT
08-0148-700	12/3 CABLE ASSY SHIELDED Lights 2PIN - 700FT

S/S SHIELDED CABLE ASSEMBLIES

S/S SHIELDED CABLE ASSEMBLIES

FOUNTAIN GLO™ LIGHT SYSTEMS
LED, MINI-RGBW, MIDI-RGBW (2PIN)



PART NUMBER	DESCRIPTION
08-0148-725	12/3 CABLE ASSY SHIELDED Lights 2PIN - 725FT
08-0148-750	12/3 CABLE ASSY SHIELDED Lights 2PIN - 750FT
08-0148-775	12/3 CABLE ASSY SHIELDED Lights 2PIN - 775FT
08-0148-800	12/3 CABLE ASSY SHIELDED Lights 2PIN - 800FT
08-0148-825	12/3 CABLE ASSY SHIELDED Lights 2PIN - 825FT
08-0148-850	12/3 CABLE ASSY SHIELDED Lights 2PIN - 850FT
08-0148-875	12/3 CABLE ASSY SHIELDED Lights 2PIN - 875FT
08-0148-900	12/3 CABLE ASSY SHIELDED Lights 2PIN - 900FT
08-0148-925	12/3 CABLE ASSY SHIELDED Lights 2PIN - 925FT
08-0148-950	12/3 CABLE ASSY SHIELDED Lights 2PIN - 950FT
08-0148-975	12/3 CABLE ASSY SHIELDED Lights 2PIN - 975FT
08-0148-1000	12/3 CABLE ASSY SHIELDED Lights 2PIN- 1000FT

S/S SHIELDED CABLE ASSEMBLIES

10HP 460V SYSTEMS

S/S Shielded Cable Assemblies are not available for all gauges.



PART NUMBER	DESCRIPTION
08-0139-050	10/4 CABLE ASSY SHIELDED GF 10HP460V QD - 50FT
08-0139-075	10/4 CABLE ASSY SHIELDED GF 10HP460V QD - 75FT
08-0139-100	10/4 CABLE ASSY SHIELDED GF 10HP460V QD - 100FT
08-0139-125	10/4 CABLE ASSY SHIELDED GF 10HP460V QD - 125FT
08-0139-150	10/4 CABLE ASSY SHIELDED GF 10HP460V QD - 150FT
08-0139-175	10/4 CABLE ASSY SHIELDED GF 10HP460V QD - 175FT
08-0139-200	10/4 CABLE ASSY SHIELDED GF 10HP460V QD - 200FT
08-0139-225	10/4 CABLE ASSY SHIELDED GF 10HP460V QD - 225FT
08-0139-250	10/4 CABLE ASSY SHIELDED GF 10HP460V QD - 250FT
08-0139-275	10/4 CABLE ASSY SHIELDED GF 10HP460V QD - 275FT
08-0139-300	10/4 CABLE ASSY SHIELDED GF 10HP460V QD - 300FT
08-0139-325	10/4 CABLE ASSY SHIELDED GF 10HP460V QD - 325FT
08-0139-350	10/4 CABLE ASSY SHIELDED GF 10HP460V QD - 350FT
08-0139-375	10/4 CABLE ASSY SHIELDED GF 10HP460V QD - 375FT
08-0139-400	10/4 CABLE ASSY SHIELDED GF 10HP460V QD - 400FT
08-0139-425	10/4 CABLE ASSY SHIELDED GF 10HP460V QD - 425FT
08-0139-450	10/4 CABLE ASSY SHIELDED GF 10HP460V QD - 450FT
08-0139-475	10/4 CABLE ASSY SHIELDED GF 10HP460V QD - 475FT
08-0139-500	10/4 CABLE ASSY SHIELDED GF 10HP460V QD - 500FT
08-0139-525	10/4 CABLE ASSY SHIELDED GF 10HP460V QD - 525FT
08-0139-550	10/4 CABLE ASSY SHIELDED GF 10HP460V QD - 550FT
08-0139-575	10/4 CABLE ASSY SHIELDED GF 10HP460V QD - 575FT
08-0139-600	10/4 CABLE ASSY SHIELDED GF 10HP460V QD - 600FT
08-0139-625	10/4 CABLE ASSY SHIELDED GF 10HP460V QD - 625FT

S/S SHIELDED CABLE ASSEMBLIES

10HP 460V SYSTEMS

S/S Shielded Cable Assemblies are not available for all gauges.

PART NUMBER	DESCRIPTION
08-0139-650	10/4 CABLE ASSY SHIELDED GF 10HP460V QD - 650FT
08-0139-675	10/4 CABLE ASSY SHIELDED GF 10HP460V QD - 675FT
08-0139-700	10/4 CABLE ASSY SHIELDED GF 10HP460V QD - 700FT





About **OTTERBINE**

Otterbine-Barebo’s passion and true calling in this world is creating beautiful, clean and sustainable waterways. When you choose an Otterbine product, you choose a family owned company and a team we like to call “*The Folks at Otterbine,*” and that team takes great pride in producing high quality products that make the world a better place through sustainable, clean water.

VISIT THE DISTRIBUTOR DASHBOARD ONLINE FOR A COLLECTION OF RESOURCES OR CONTACT US DIRECT!

SALES TOOLS

We offer a wide range of sales presentations, tools, incentives and programs to help make products more profitable and easier to sell. We’re only a phone call, email or chat away, and happy to assist you at any time.

MARKETING TOOLS

Here to help with all of your marketing needs, from creative inspiration to developing and implementing a marketing strategy - contact us to see how easy it is.

CONSULTATION AND DESIGN

Take advantage of our 35+ years serving the pond and lake industry. Whether the customer is in need of pond aeration or creating a dramatic water feature in center city--we have the people and expertise to help educate, specify and source the best there is to offer; need help in system design - we’re just a phone call away!



OTTERBINE® BAREBO, INC.

3840 Main Road East, Emmaus, PA 18049, U.S.A.

PHONE: 1-800-AER8TER (USA) or 610-965-6018

EMAIL: orders@otterbine.com • FAX: 484-550-6677

WEB: www.otterbine.com



Otterbine Core Values

core value *n.* belief that guides a firm’s actions, unites its employees, and defines its brand.

F	A	M	I	L	Y
FAIR	ATTITUDE	MORALLY SQUARE	IDEAS	LOYAL	YIPPEE
Treat Others As You Want to Be Treated	Have a “Can-Do” Attitude	Don’t Cut Corners	Be Open to New Ideas	Value Channel Partners, Friends & Family	Celebrate and Have Fun